
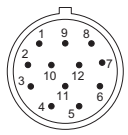
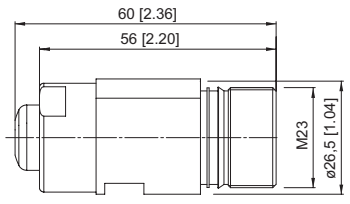

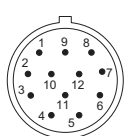
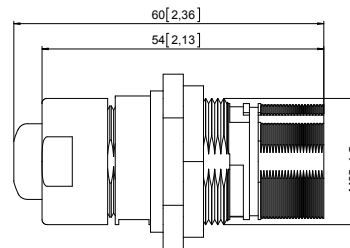


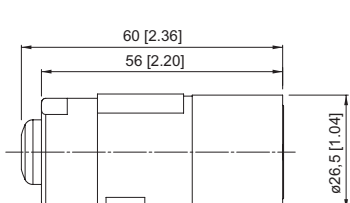


Connection technology

M23 connection technology		Connectors, self-assembly		Order no.
12 pin				
<p>Male connector with external thread pin assignment ccw</p> <p>Housing: metal, IP67</p> 	<p>solder connections, for cable \varnothing 5.5 ... 10.5 mm [0.22 ... 0.41"]</p>  	<p>suitable for:</p> <p>versions with cable outlet</p>	<p>8.0000.5015.0001</p>	
<p>Male connector with external thread pin assignment ccw central fastening</p> <p>Housing: metal, IP67</p> 	<p>solder connections, for cable \varnothing 5.5 ... 10.5 mm [0.22 ... 0.41"]</p>  	<p>suitable for:</p> <p>versions with cable outlet</p>	<p>8.0000.5015.0000</p>	
<p>Female connector with coupling nut pin socket assignment cw</p> <p>Housing: metal, IP67</p> 	<p>solder connections, for cable \varnothing 5.5 ... 10.5 mm [0.22 ... 0.41"]</p>  	<p>suitable for:</p> <p>KIS50 / KIH50 5000 / 5020 5814 / 5834 5814FSx / 5834FSx 580X / 582X</p> <p>F5863 / F5883 F5883M 585x / 587x 5853FSx / 5873FSx 586x / 588x 5863FSx / 5883FSx 9000 908x A02x</p>	<p>8.0000.5012.0000</p>	

M23 connection technology Connectors, self-assembly

17 pin Order no.

**Female connector with coupling nut
pin socket assignment ccw**

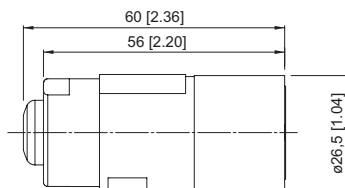
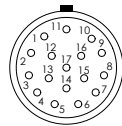
Housing: metal, IP67

solder connections,
for cable \varnothing 5.5 ... 10.5 mm [0.22 ... 0.41"]

suitable for:

5850 / 5870
5852 / 5872

8.0000.5042.0000



Connection technology

M23 connection technology Cordsets, pre-assembled

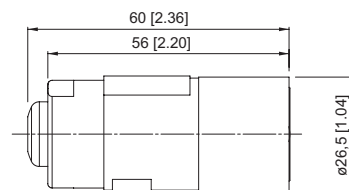
With connector, 12 pin Working temp. -30°C ... +80°C [-22°F ... +176°F] Order no.

Female connector with coupling nut + single-ended

Cable: PVC, 6 x 2 x 0.14 mm² [AWG25]
Housing: metal, IP67



pin socket assignment cw



suitable for our series with RS422 or SinCos output:

KIS50 / KIH50	5000 / 5020
5805 / 5825 ³⁾	
5814 / 5834	5814FSx / 5834FSx ³⁾
A020 / A02H	H120

Terminal assignment

Pin female contacts:	1	2	3	4	5	6	7	8	9	10	11	12	PH ²⁾
Wire color:	PK	RD-BU	BU	RD	GN	YE	-	GY	-	WH	GY-PK	BN	PH ²⁾

standard cable length (available from 1 piece)	cable length ¹⁾	2 m [6.56']
		5 m [16.40']
		10 m [32.81']
		15 m [49.21']

other cable lengths
(available from 1 piece)

8.0000.6901.0002
8.0000.6901.0005
8.0000.6901.0010
8.0000.6901.0015

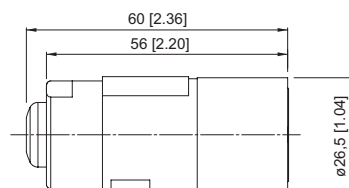
8.0000.6901.00xx
xx = length in meters:
1, 3, 8, 12, 20, 25, 30

Female connector with coupling nut + single-ended

Cable: PUR, 10 x 0.14 mm² [AWG25] +
2 x 0.5 mm² [AWG20]
Housing: metal, IP67



pin socket assignment cw



suitable for our series with RS422 or SinCos output:

KIS50 / KIH50 ³⁾	5000 / 5020 ³⁾
5803 / 5823	5804 / 5824
5805 / 5825	
5814 / 5834 ³⁾	5814FSx / 5834FSx
A020 / A02H ³⁾	H120 ³⁾

Terminal assignment

Pin female contacts:	1	2	3	4	5	6	7	8	9	10	11	12	PH ²⁾
Wire color:	PK	BN	BU	RD	GN	YE	-	GY	-	WH 0.5 mm ²	WH	BN 0.5 mm ²	PH ²⁾

standard cable length (available from 1 piece)	cable length ¹⁾	2 m [6.56']
		5 m [16.40']
		10 m [32.81']
		15 m [49.21']

other cable lengths
(available from 1 piece)

8.0000.6101.0002
8.0000.6101.0005
8.0000.6101.0010
8.0000.6101.0015

8.0000.6101.00xx
xx = length in meters:
1, 3, 8, 12, 20, 25, 30

1) Other cable lengths on request.
2) Shield on housing.
3) Connector color assignment is different from encoder color assignment.



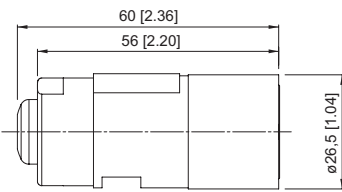
Connection technology

M23 connection technology Cordsets, pre-assembled

With connector, 12 pin Working temp. -30°C ... +80°C [-22°F ... +176°F] Order no.

Female connector with coupling nut + single-ended pin socket assignment cw

Cable: PVC, 6 x 2 x 0.14 mm² [AWG25]
Housing: metal, IP67

suitable for our series with SSI or analog output:

5850 / 5870	
F5863 / F5883	F5883M
5853 / 5873	5853FSx / 5873FSx
5863 / 5883	5863FSx / 5883FSx
9081	

Terminal assignment

Pin female contacts:	1	2	3	4	5	6	7	8	9	10	11	12	PH ²⁾
Wire color:	WH	BN	GN	YE	GY	PK	BU	RD	BK	VT	GY-PK	RD-BU	PH ²⁾



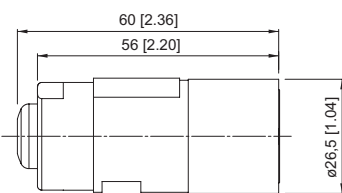
*cable length*¹⁾

standard cable length	2 m [6.56']	8.0000.6901.0002.0031	
(available from 1 piece)	5 m [16.40']		8.0000.6901.0005.0031
	10 m [32.81']		8.0000.6901.0010.0031
	15 m [49.21']		8.0000.6901.0015.0031
other cable lengths		8.0000.6901.00xx.0031	
(available from 1 piece)			xx = length in meters: 1, 3, 8, 12, 20, 25, 30

With connector, 12 pin Working temp. -40°C ... +135°C [-40°F ... +275°F] Order no.

Female connector with coupling nut + single-ended pin socket assignment cw

Cable: TPE, 5 x 2 x 0,14 mm² [AWG25]
+ 2 x 0,5 mm² [AWG20]
Housing: metal, IP67

suitable for our series with RS422 or SinCos output:

KIS50 / KIH50 ³⁾	5000 / 5020 ³⁾
5803 / 5823	5804 / 5824
5805 / 5825	
5814 / 5834 ³⁾	5814FSx / 5834FSx
A020 / A02H ³⁾	H120 ³⁾

Terminal assignment

Pin female contacts:	1	2	3	4	5	6	7	8	9	10	11	12	PH ²⁾
Wire color:	PK	BN	BU	RD	GN	YE	-	GY	-	WH 0.5 mm ²	WH	BN 0.5 mm ²	PH ²⁾

*cable length*¹⁾

standard cable length	2 m [6.56']	8.0000.6E01.0002	
(available from 1 piece)	5 m [16.40']		8.0000.6E01.0005
	10 m [32.81']		8.0000.6E01.0010
	15 m [49.21']		8.0000.6E01.0015
other cable lengths		8.0000.6E01.00xx	
(available from 1 piece)			xx = length in meters: 1, 3, 8, 12, 20, 25, 30

1) Other cable lengths on request.
2) Shield on housing.
3) Connector color assignment is different from encoder color assignment.

Connection technology

M23 connection technology Cordsets, pre-assembled

With connector, 12 pin Working temp. -30°C ... +80°C [-22°F ... +176°F] Order no.

Female connector with coupling nut + male connector with external thread

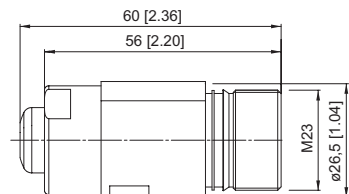
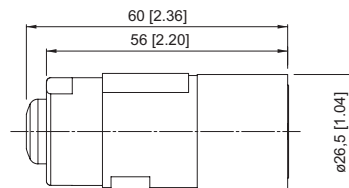
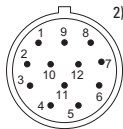
Cable: PVC, 6 x 2 x 0.14 mm² [AWG25]
Housing: metal, IP67



pin socket assignment cw



pin socket assignment ccw



suitable for our series:

5000 / 5020 5803 / 5823
5804 / 5824 5805 / 5825
5814 / 5834 5814FSx / 5834FSx
A020 / A02H H120

*cable length*¹⁾

standard cable length 2 m [6.56']
(available from 1 piece) 5 m [16.40']
10 m [32.81']
15 m [49.21']

other cable lengths
(available from 1 piece)

8.0000.6905.0002
8.0000.6905.0005
8.0000.6905.0010
8.0000.6905.0015

8.0000.6905.00xx
xx = length in meters:
1, 3, 8, 12, 20, 25, 30

Female connector with coupling nut + male connector with external thread

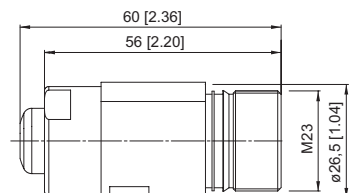
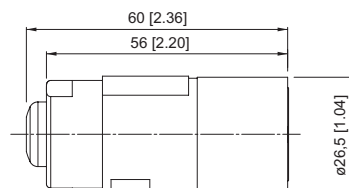
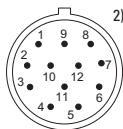
Cable: PVC, 6 x 2 x 0.14 mm² [AWG25]
Housing: metal, IP67



pin socket assignment cw



pin socket assignment ccw



suitable for our series:

5850 / 5870 F5863 / F5883
5853 / 5873 5853FSx / 5873FSx
5863 / 5883 5863FSx / 5883FSx
9081

*cable length*¹⁾

standard cable length 2 m [6.56']
(available from 1 piece) 5 m [16.40']
10 m [32.81']
15 m [49.21']

other cable lengths
(available from 1 piece)

8.0000.6905.0002.0.032
8.0000.6905.0005.0.032
8.0000.6905.0010.0.032
8.0000.6905.0015.0.032

8.0000.6905.00xx.0032
xx = length in meters:
1, 3, 8, 12, 20, 25, 30

1) Other cable lengths on request.
2) Shield on housing.

Connection technology

M23 connection technology

Cordsets, pre-assembled

With connector, 17 pin

Working temp. -30°C ... +80°C [-22°F ... +176°F]

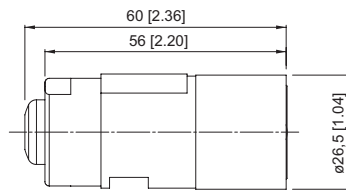
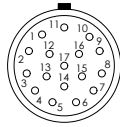
Order no.

Female connector with coupling nut + single-ended

Cable: PVC, 18 x 0.14 mm² [AWG25]
Housing: metal, IP67



pin socket assignment ccw



suitable for our series:

5850 / 5870
5852 / 5872

cable length ¹⁾

standard cable length 2 m [6.56']
(available from 1 piece) 5 m [16.40']
10 m [32.81']
15 m [49.21']

other cable lengths
(available from 1 piece)

8.0000.6741.0002
8.0000.6741.0005
8.0000.6741.0010
8.0000.6741.0015

8.0000.6741.00xx

xx = length in meters:
1, 3, 8, 12, 20, 25, 30

Terminal assignment

Pin female contacts:	1	2	3	4	5	6	7	8	9	10	11	12	13	14	15	16	17
Wire color:	WH	BN	GN	YE	GY	PK	BU	RD	BK	VT	GY-PK	RD-BU	WH-GN	BN-GN	WH-YE	YE-BN	WH-GY

1) Other cable lengths on request.