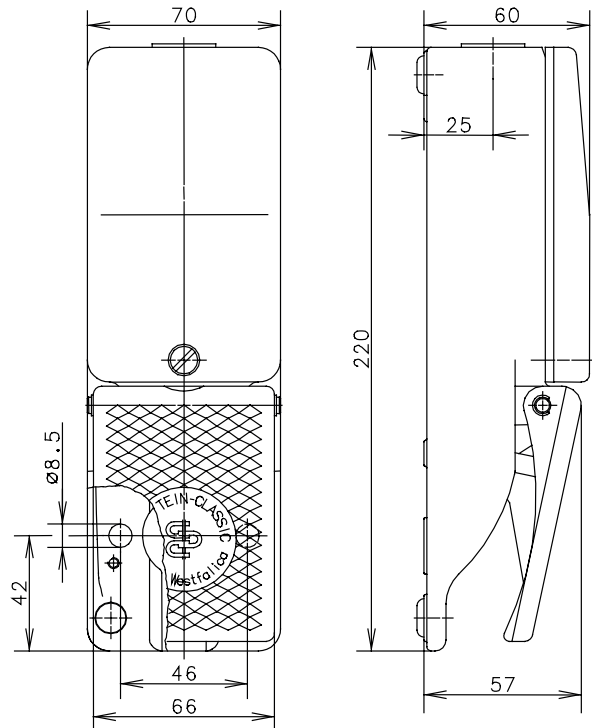
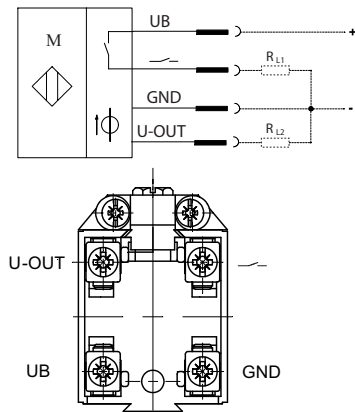


Foot-switch Series F1

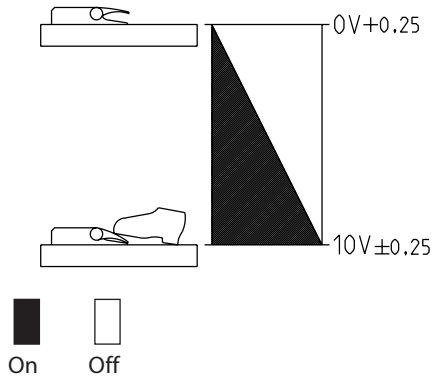
Description **F1-AU0-10V**

Article number **6161500724**

Wiring diagram



Characteristic



Electrical Data	
Rated operating voltage range	U_B 12 - 26 V DC
Idle current	I_o < 25 mA
Short-circuit protection type switching element	synchronising, permanently short-circuit and overload protected
Reverse polarity	yes
Readiness delay	t_v < 50 ms
Protection class	III (safety extra-low voltage)
Analogue output	
Voltage output (control range)	0 – 10 V
Linearity errors max.	$\pm 2,5$ % from the end value (10 V), U_B and temperature at a constant level
Temperature errors max.	± 10 % U_B constant level
Repetition accuracy	R ≤ 2 % from the end value (10 V), U_B and temperature at a constant level
min. Load resistance	R_{L2} 2 k Ω
Switching output	
switching element function	S PNP NO (teachable)
Hysteresis	H ≈ 10 %
Voltage drop	U_d $\leq 1,6$ V
Utilization category	DC 12
Rated operational currents	I_e 200 mA
Minimum operating current	I_m 1 mA
Residual current	I_r < 0,1 mA

Mechanical data	
Enclosure	AL, die-cast
Cover	AL, die-cast
Actuator	Foot lever (PA)
Ambient air temperature	-30° C ... +80° C
Operating force	≈ 10 N (pedal centre)
Mechanical life	10 x 10 ⁶ operating cycles
Switching frequency	max. 50 / min
Assembly	2 x M8
Connection	screw terminals (M3,5)
Number of connections	4
Conductor cross-sections	Solid: 0,5 ... 1,5 mm ² or Litz wire with ferrules: 0,5 ... 1,5 mm ²
Cable entrance	1 x M20 x 1,5
Weight	$\approx 1,5$ kg
Protection type	IP65 acc. to IEC/EN 60529

Standards	
EN 60947-5-7	

EU Conformity ¹⁾	
acc. to directive 2014/30/EU (EMC-Directive)	

Notes

The degree of protection specified (IP code) applies only to a properly closed cover and the use of an equivalent cable gland with adequate cable.

¹⁾To be conform with the EMV guideline (2014/30/EU) a shielded connection cable has to be used.