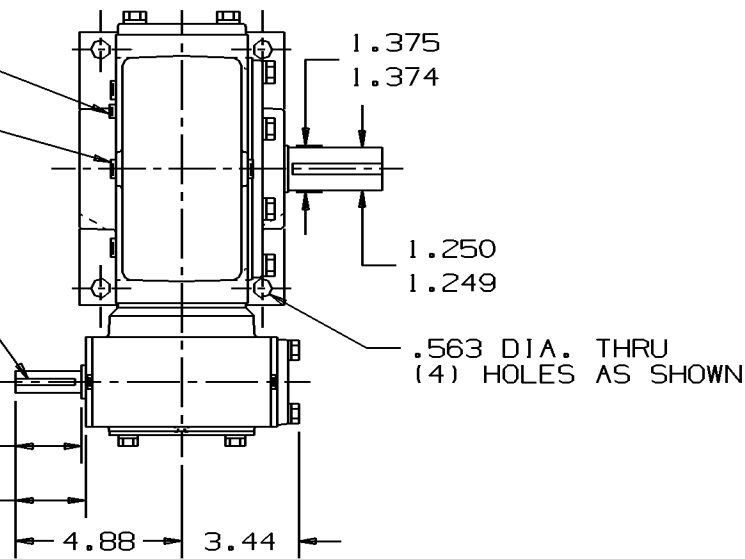


1/8 LEVEL
PLUG

1/4 FILLER
VENT PLUG

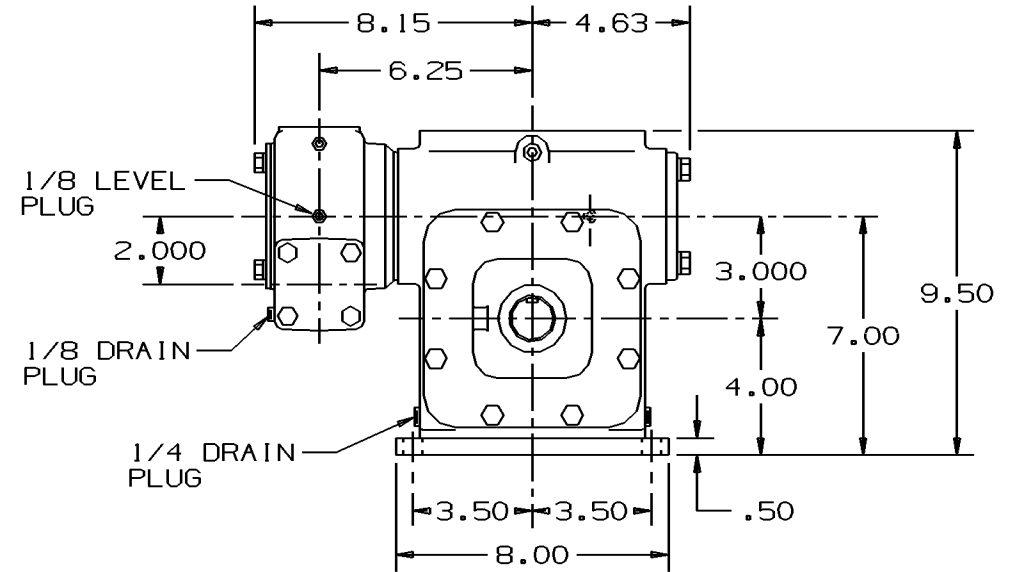
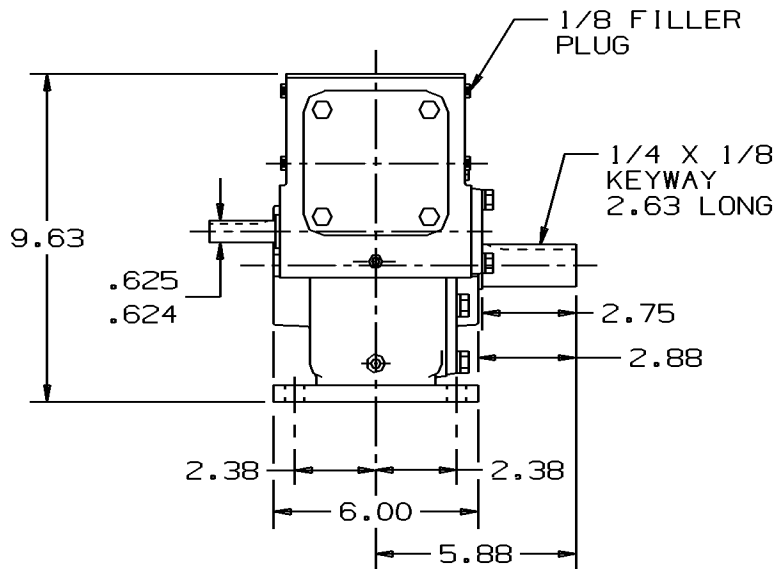
3/16 X 3/32
KEYWAY
1.75 LONG

1.94
2.06



USE SLOW SPEED SHAFT PER DWG. B-034408-075
USE HIGH SPEED SHAFT PER DWG. C-862098-SH.1

RATIO:
500



PART NO. 9-30XDTD-066-X

OUTLINE SPECIAL ASSEMBLY LD-R		MOUNTING FLOOR		REVISIONS		DRAWN BY CAD/TD		PEERLESS-WINSMITH		
UNIT 930 DTD WORM GEAR REDUCER		RATIO	DATE			DATE 6/9/93		SPRINGVILLE, NEW YORK 14141		
CERTIFIED CORRECT FOR		ORDER NO.				SCALE .250		SIZE B	DWG NO. 930XDTD-066-X	REV A
		APPROVED BY				CHECKED BY				

THIS DRAWING IS THE PROPERTY OF PEERLESS-WINSMITH AND SHALL BE USED ONLY IN CONNECTION WITH CONTRACTS AND PROPOSALS OF THE COMPANY. RECIPIENT AGREES NOT TO USE THIS DRAWING OR INFORMATION IT CONTAINS IN ANY WAY DETRIMENTAL TO PEERLESS-WINSMITH