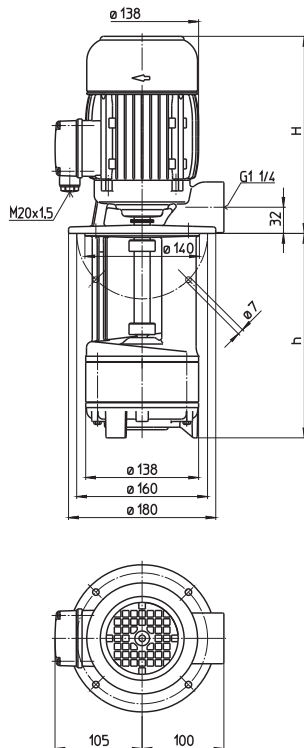


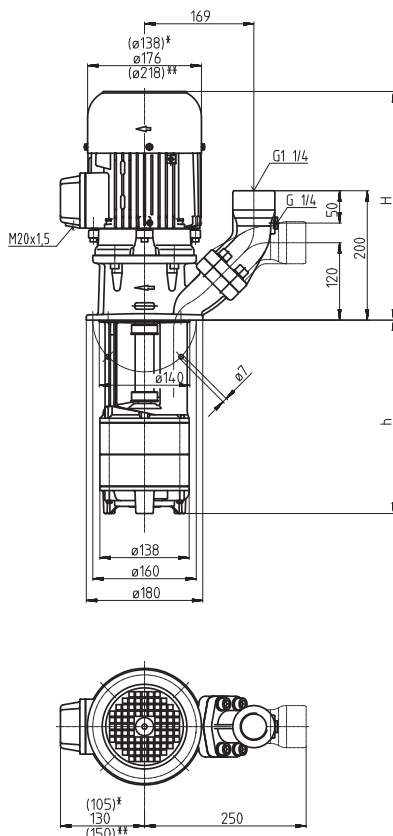
Immersion Pumps TA/STA301...306

Semi-open impellers

TA302



STA301...306



*) Dimensions for STA301, 302
**) Dimensions for STA306

| Type | Vol. del. at manom. del. head l/min / m | Height H mm | Depth of immersion h mm | Weight kg | Power kW | Voltage 3~ V | Fre- quen- cy Hz | Current A | Speed 1/min |
|-------------------|--|----------------|----------------------------|--------------|-------------|--------------------|---------------------------|--------------|----------------|
| TA302/170 | 160/12 | 291 | 170 | 18 | 1.1 | 220-240 | 50 | 4.33 | 2850 |
| 250 | | | 250 | 19 | | | | | |
| 320 | | | 320 | 20 | | | | | |
| 400 | | | 400 | 21 | 1.27 | 460 | 60 | 2.4 | 3440 |
| 490 | | | 490 | 22 | | | | | |
| 600 | | | 600 | 24 | | | | | |
| STA301/120 | 160/7 | 293 | 120 | 19.5 | 0.54 | 220-240 | 50 | 2.42 | 2800 |
| 200 | | | 200 | 20.5 | | | | | |
| 270 | | | 270 | 21.5 | | | | | |
| 350 | | | 350 | 22.5 | 1.27 | 460 | 60 | 1.40 | 3300 |
| 440 | | | 440 | 24.0 | | | | | |
| 550 | | | 550 | 25.5 | | | | | |
| STA302/170 | 160/12 | 361 | 170 | 26 | 1.1 | 220-240 | 50 | 4.33 | 2850 |
| 250 | | | 250 | 27 | | | | | |
| 320 | | | 320 | 28 | | | | | |
| 400 | | | 400 | 29 | 1.27 | 460 | 60 | 2.4 | 3440 |
| 490 | | | 490 | 31 | | | | | |
| 600 | | | 600 | 33 | | | | | |
| STA303/220 | 160/18 | 380 | 220 | 36 | 1.5 | 220-240 | 50 | 5.5 | 2880 |
| 300 | | | 300 | 37 | | | | | |
| 370 | | | 370 | 38 | | | | | |
| 450 | | | 450 | 39 | 1.75 | 460 | 60 | 3.1 | 3470 |
| 540 | | | 540 | 40 | | | | | |
| 650 | | | 650 | 42 | | | | | |
| 850 | | | 850 | 48 | | | | | |
| 1000 | | | 1000 | 50 | | | | | |
| STA304/270 | 160/24 | 439 | 270 | 45 | | | | | |
| 350 | | | 350 | 46 | | | | | |
| 420 | | | 420 | 47 | | | | | |
| 500 | | | 500 | 49 | 2.18 | 460 | 60 | 3.9 | 3500 |
| 590 | | | 590 | 50 | | | | | |
| 700 | | | 700 | 52 | | | | | |
| 900 | | | 900 | 58 | | | | | |
| 1050 | | | 1050 | 60 | | | | | |
| STA305/320 | 160/29 | 439 | 320 | 50 | | | | | |
| 400 | | | 400 | 51 | | | | | |
| 470 | | | 470 | 52 | | | | | |
| 550 | | | 550 | 53 | 2.94 | 460 | 60 | 5.1 | 3480 |
| 640 | | | 640 | 54 | | | | | |
| 750 | | | 750 | 56 | | | | | |
| 950 | | | 950 | 63 | | | | | |
| 1100 | | | 1100 | 65 | | | | | |
| STA306/370 | 160/37 | 478 | 370 | 63 | | | | | |
| 450 | | | 450 | 64 | | | | | |
| 520 | | | 520 | 65 | | | | | |
| 600 | | | 600 | 66 | 3.8 | 460 | 60 | 6.4 | 3520 |
| 690 | | | 690 | 67 | | | | | |
| 800 | | | 800 | 69 | | | | | |
| 1000 | | | 1000 | 76 | | | | | |


Immersion Pumps


are plain centrifugal pumps with the impeller fitted on the driving shaft extension. They are mounted on top of the container, the pump extension being immersed in the coolant.

The maximum coolant level must stay a few mm/inches below the mounting flange.

The STA serie offers a **(SAE) flange** with pressure gauge connection port.

The flange can be rotated for either horizontal or vertical pipe connections.

 All types are also available as quick-suctioning immersion pumps equipped with "BRINKMANN's Suction De-aeration System". See series TAL/SAL.

 All types are also available as suction immersion pump with a connection to the vacuum filters on the suction side. See series STS.

Applications

Types of fluid
coolants
cooling/cutting oils
Kinematic viscosity
...45 mm²/s (45 cSt)
Pumping temperature
0...80° C
0...60° C (TA302)
higher temperatures upon request

Construction

| | |
|-----------------|--------------------------|
| Pump body | cast iron |
| Cover | cast iron POM (TA302) |
| Impellers | brass POM (TA302) |
| Shaft | steel |
| Optional: | |
| Suction cover | with threaded inlet |
| Impeller | cast steel |
| Other materials | on request |

| | |
|-----------------|--------|
| Noise level | |
| TA302...STA302 | 60 dBA |
| STA303...STA305 | 66 dBA |
| STA306 | 71 dBA |

