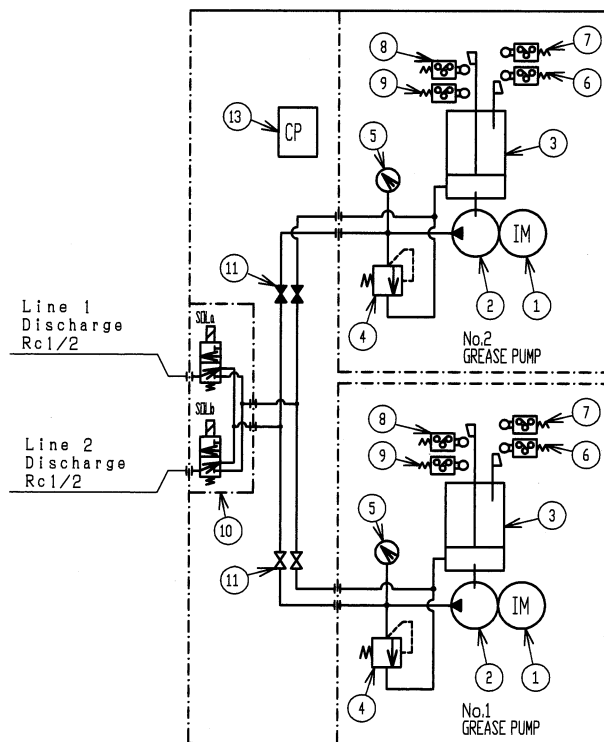
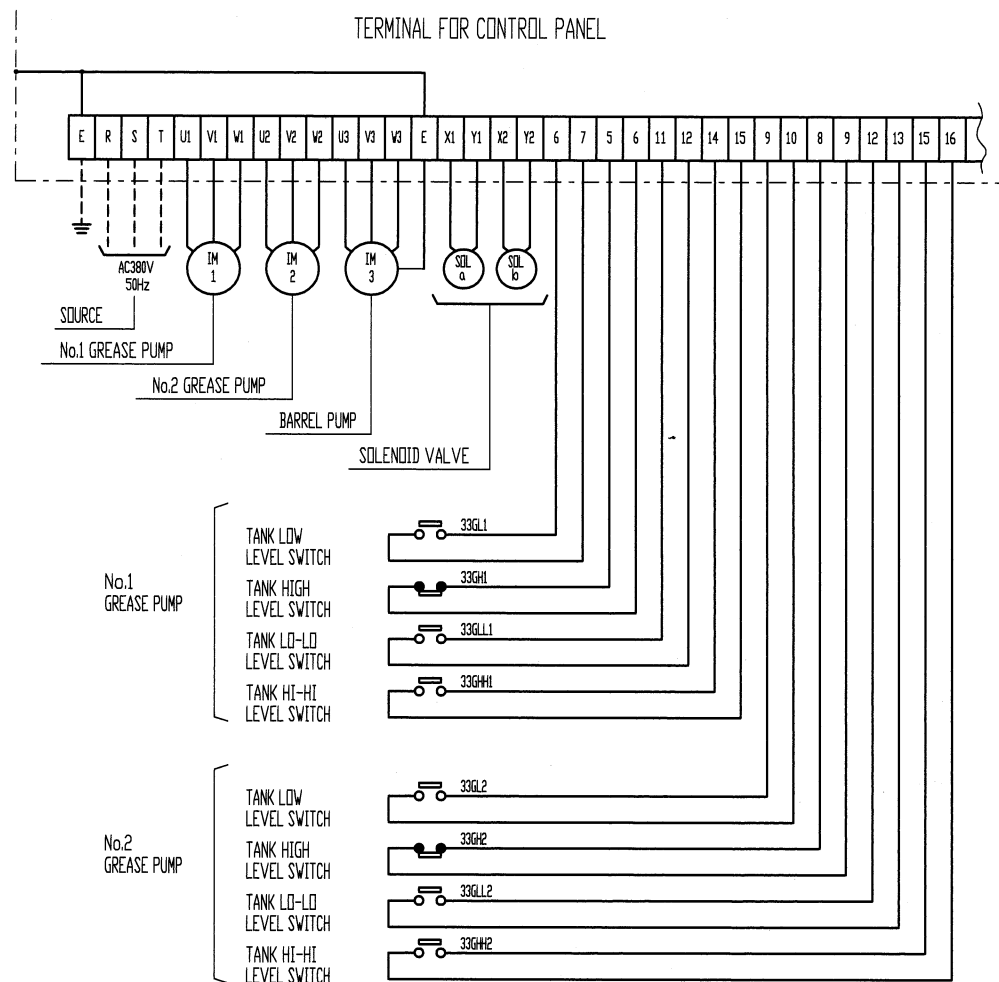


Graphic diagram



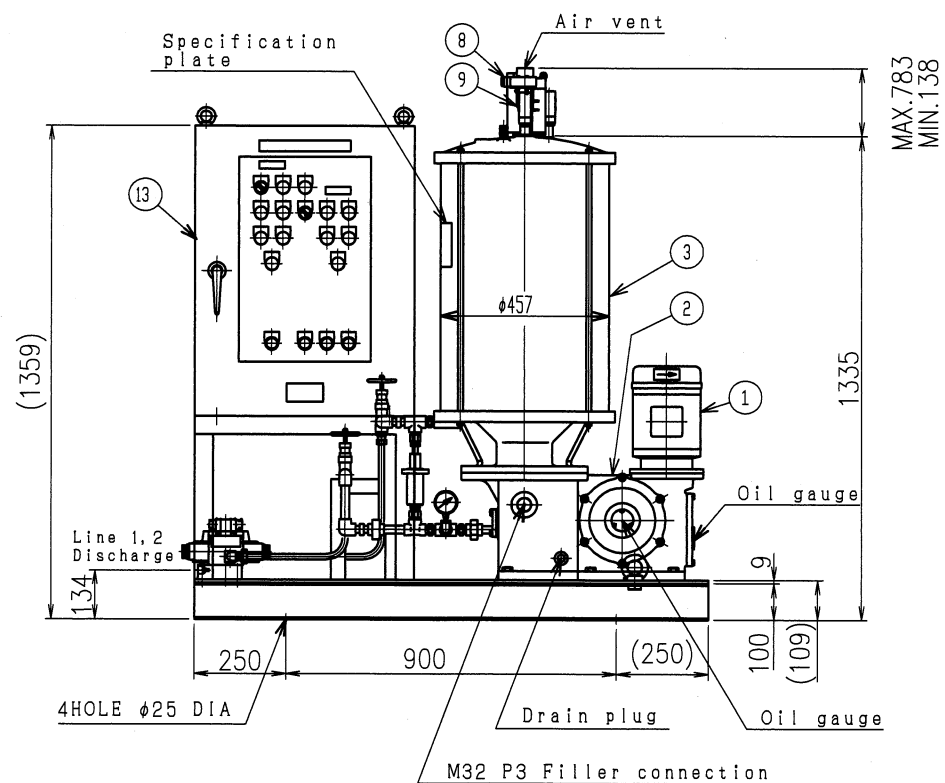
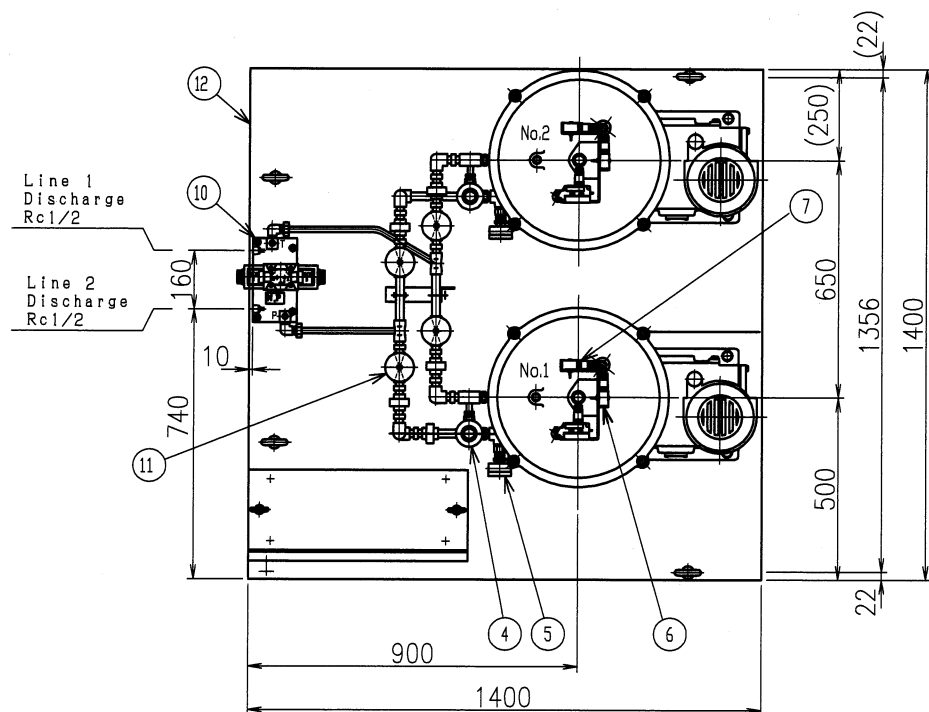
TERMINAL FOR CONTROL PANEL



Specifications

Rated pressure	Discharge volume		Pump revolution		Direction of revolution	Motor	Tank capacity	Piping system	Net weight
	MPa (bar)	cm <sup>3</sup> /min	min	Reduction ratio					
21 (210)	585	702	50Hz 75	60Hz 90	1/20 (built in pump housing)	kWX4P	90	End type	kg
									900

- Select the grease which is equivalent to #0~#2-NLGI consistency (Lower limit: ASTM unworked penetration number of 240 at operating temperature) for centralized lubricating system.
- Before operating pump, fill pump gear housing with lubrication oil (Gear oil VG220 JISK2219 classification-2 or equivalent), to the specified level indicated by the red mark of oil gauge.
- The set pressure of Relief valve is 23MPa (230bar).



ITEM No.

PART NAME	EQUIPMENTS	
	1CC or 2CC	
	No.1 GREASE PUMP	No.2 GREASE PUMP
Electric Motor		
Low Level Switch		
High Level Switch		
Lo-Lo Level Switch		
Hi-Hi Level Switch		
Solenoid Operated Valve	SOL a	SOL b

REF NO.	PART NO.	PART NAME	QTY.	REMARKS
13	EN-H****	Electric Control Panel	1	
12		Pump Base	1	
11	T131-04H	Stop Valve	4	
10	SV-32MK-C	Solenoid Operated Valve	1	
9	ZE-NA2-2	Lo-Lo Level Switch	2	
8	ZE-NA2-2	Low Level Switch	2	
7	ZE-NA2-2	Hi-Hi Level Switch	2	
6	ZE-NA2-2	High Level Switch	2	
5		Pressure Gauge	2	400 bar (40Mpa)
4	JR-T02-3L	Relief Valve	2	
3	T-90A	Grease Tank	2	90L
2	P-50A	Grease Pump	2	
1		Electric Motor	2	AC380V 50Hz 15kW

3RD ANGLE PROJECTION 三角法  
 ORDER NO. H3213901  
 APPROVED. Y. Kunishige  
 CHECKED. M. Kimura  
 DRAEN. K. Fujimoto  
 DATE 作成日 Nov.20.2012

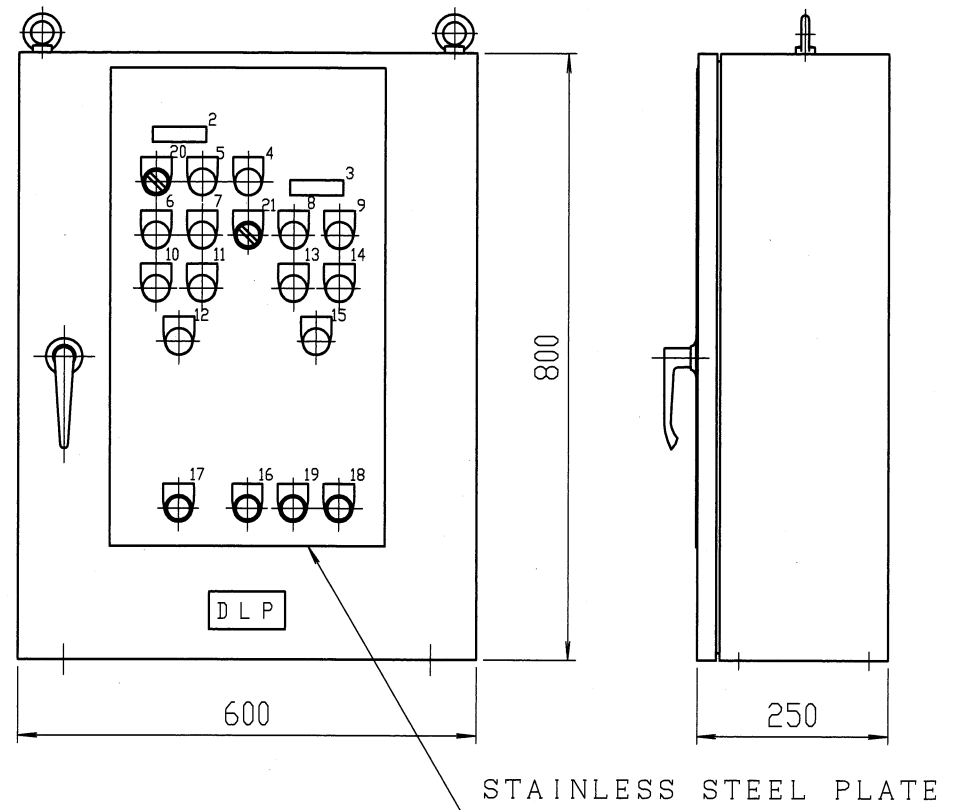
U-5AEM-38-C-H\*\*\*\*  
 MOTOR DRIVEN GREASE PUMP UNIT

SCALE 尺 寸 1/15 DRAWING NO. 番 号 HA3213901  
 DAIKIN LUBRICATION PRODUCTS AND ENGINEERING CO.,LTD.  
 ダイキン潤滑機設株式会社

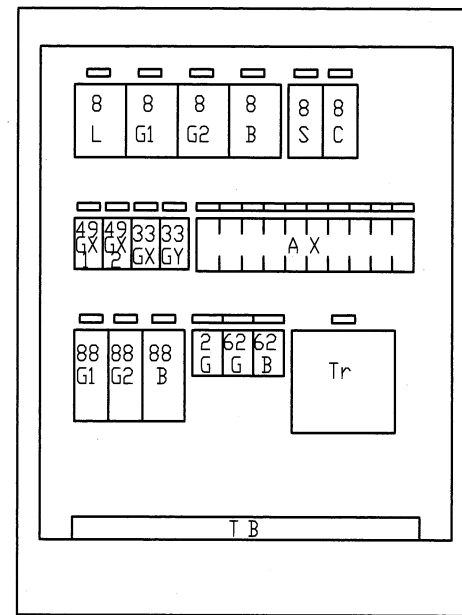
REFERENCE

MARK 符号	DATE 年月日	REVISIONS 修正	APP'D 承認
△			
△			
△			
△			

APPEARANCE VIEW

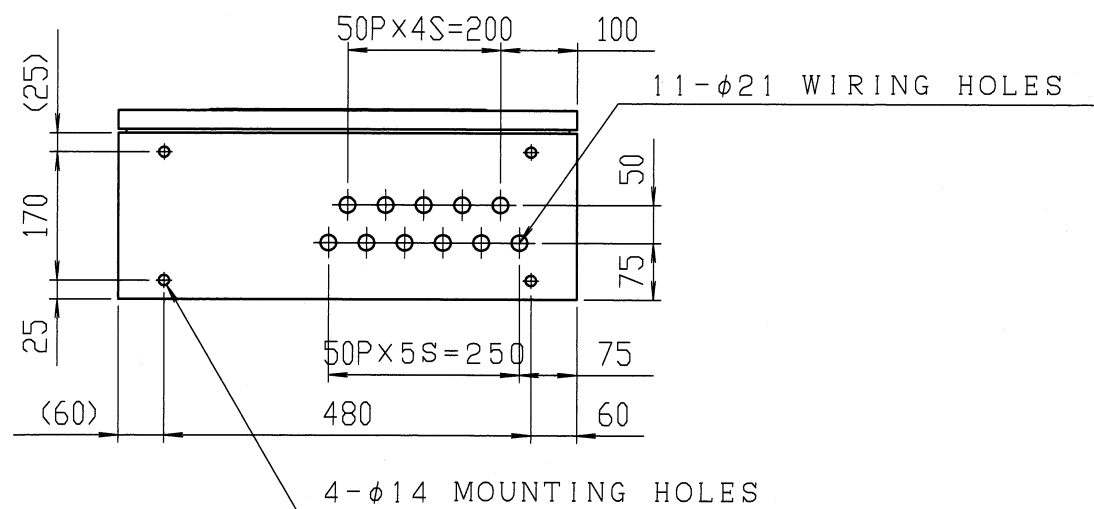


DISPOSITION DIAGRAM



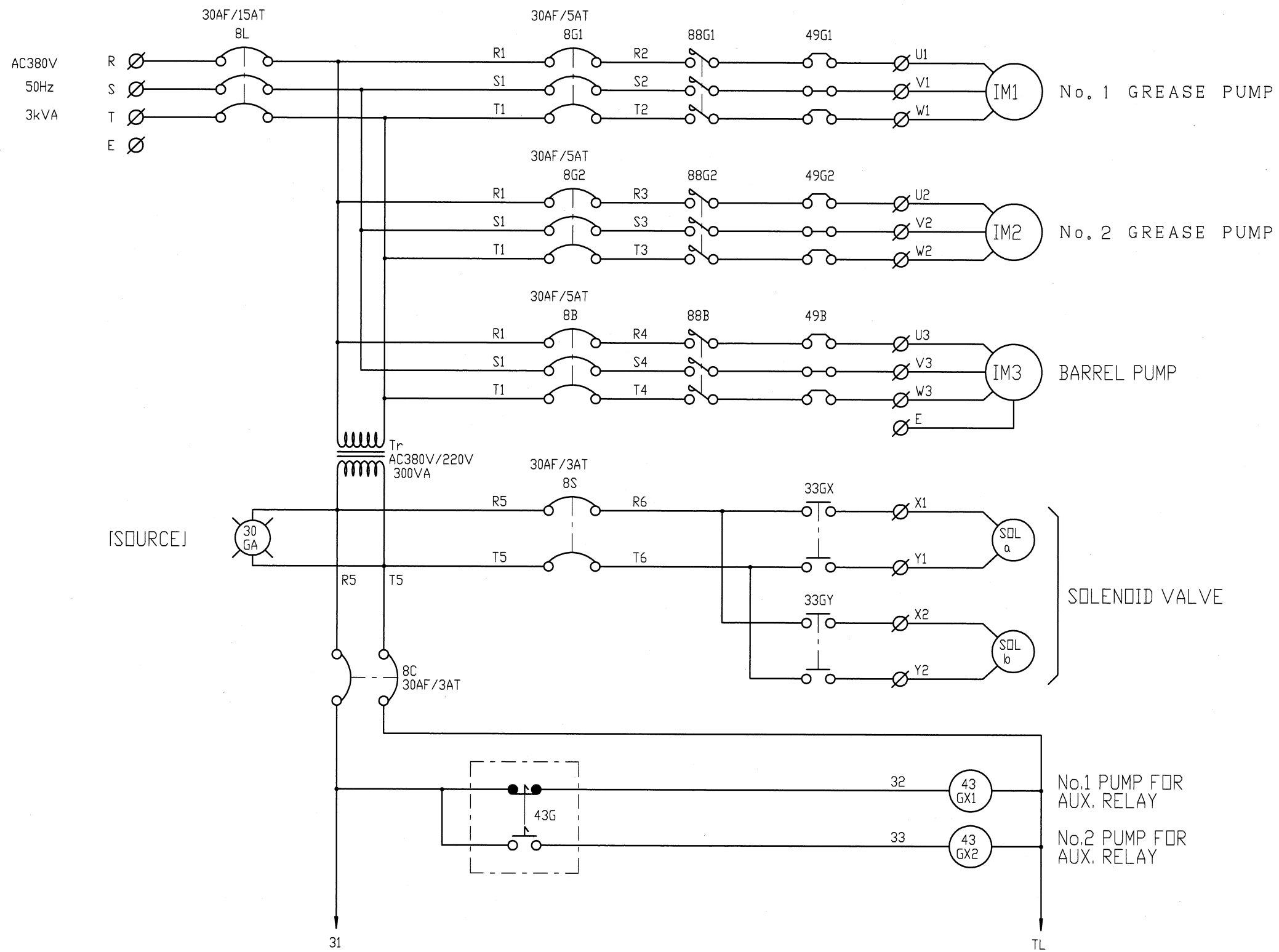
NO	MARKS	LETTER OF NAME PLATE	TURKISH LETTERS OF NAME PLATE
1	—	—	—
2		GREASE PUMP	GRES POMPASI
3		BARREL PUMP	FICI POMPASI
4	30GA	SOURCE	KAYNAK
5	30GS	STOP	DURDUR
6	30GB1	No.1 PUMP RUN	1.POMPAYI CALISTIR
7	30GB2	No.2 PUMP RUN	2.POMPAYI CALISTIR
8	30BS	STOP	DURDUR
9	30BB	RUN	CALISTIR
10	30GF1	LEAKAGE	SIZINTI
11	30GF2	TANK EMPTY	TANK BOS
12	30GF3	OVER LOAD	ASIRI YUK
13	30BF4	LEAKAGE	SIZINTI
14	30BF5	TANK FULL	TANK DOLU
15	30BF6	OVER LOAD	ASIRI YUK
16	3-30GF	FAULT RESET	RESET
17	3-88G	GREASE PUMP RUN	GRES POMPASINI CALISTIR
18	3-88B	BARREL PUMP RUN	FICI POMPASINI CALISTIR
19	3-5B	BARREL PUMP STOP	FICI POMPASINI DURDUR
20	43G1	No.1 PUMP-No.2 PUMP	1.POMPA-2.POMPA
21	43G2	REMOTE-LOCAL	UZAKTAN-YEREL

WEIGHT:APPROX 60kg



MARK	Q'TY	REVISIONS	DATE	CHK'D	APR'D	TITLE	MFG.NO.	DATE	APPROVED	CHECKED	DRAWN	DRAWING.NO.
4						MODEL EN-H1571 ELECTRIC CONTROL PANEL APPEARANCE VIEW	H18-240	AUG. 14, 1999	M.Honda			HE3213901
3		REPAYMENT	DEC.28.99									
2		REPAYMENT	OCT.13.99									
1							DAIKIN LUBRICATION PRODUCTS & ENGINEERING CO.,LTD.			K.Kashima	K.F	1/6

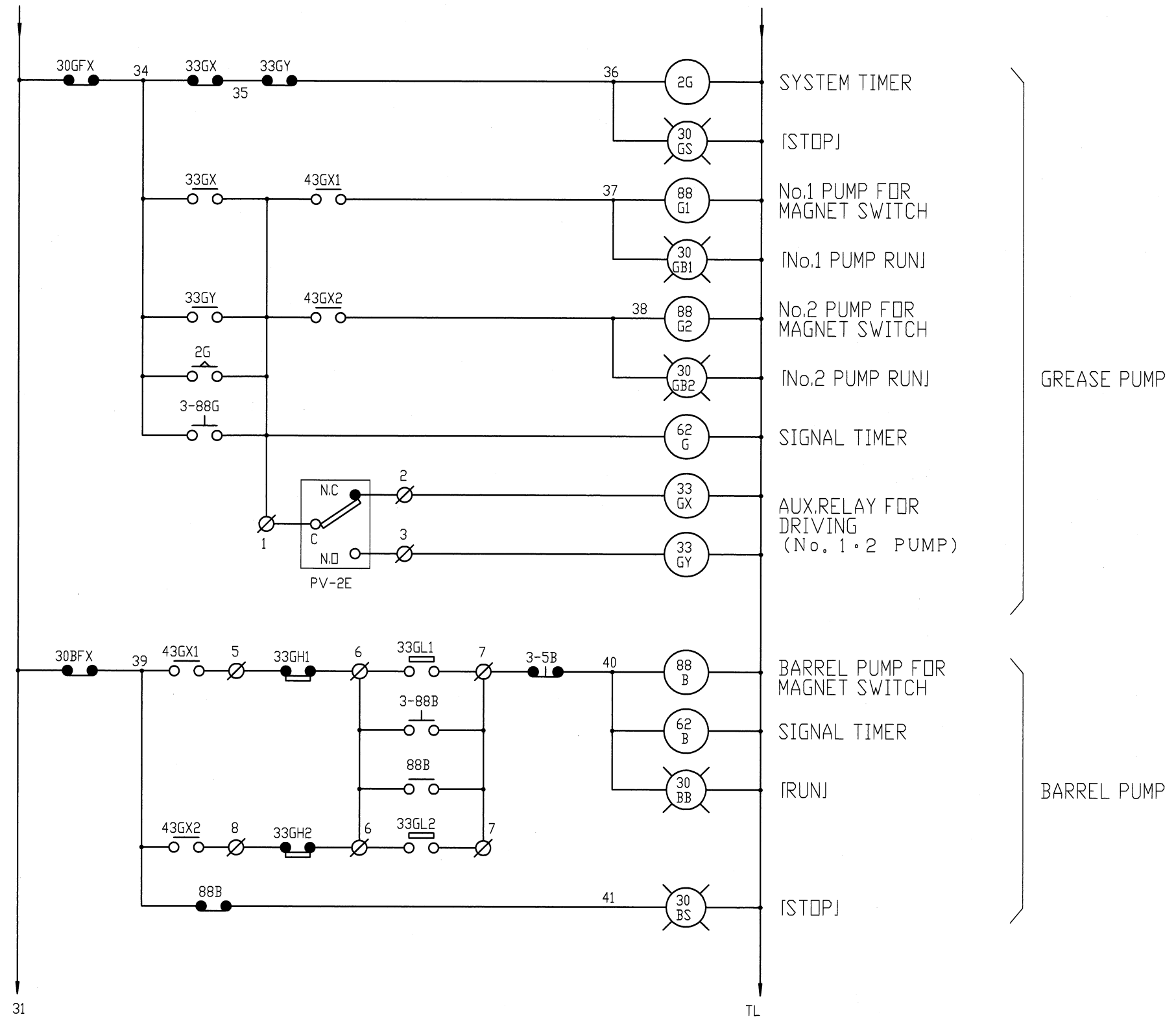
1  
2  
3  
4  
5  
6  
7  
8  
9  
10  
11  
12  
13  
14  
15  
16  
17  
18  
19  
20



REFERENCE

4						<b>TITLE</b> MODEL EN-H1571 ELECTRIC CONTROL PANEL CONNECTION DIAGRAM	MFG.NO.	H18-240	APPROVED	M.Honda	DRAWING.NO.
3					DATE		AUG. 14, 1999	CHECKED	K.Kashima	HE3213901	
2					DAIKIN LUBRICATION PRODUCTS & ENGINEERING CO.,LTD.		DRAWN	K.F	2/6		
1											△
MARK	Q'TY	REVISIONS	DATE	CHK'D	APR'D						

1  
2  
3  
4  
5  
6  
7  
8  
9  
10  
11  
12  
13  
14  
15  
16  
17  
18  
19  
20



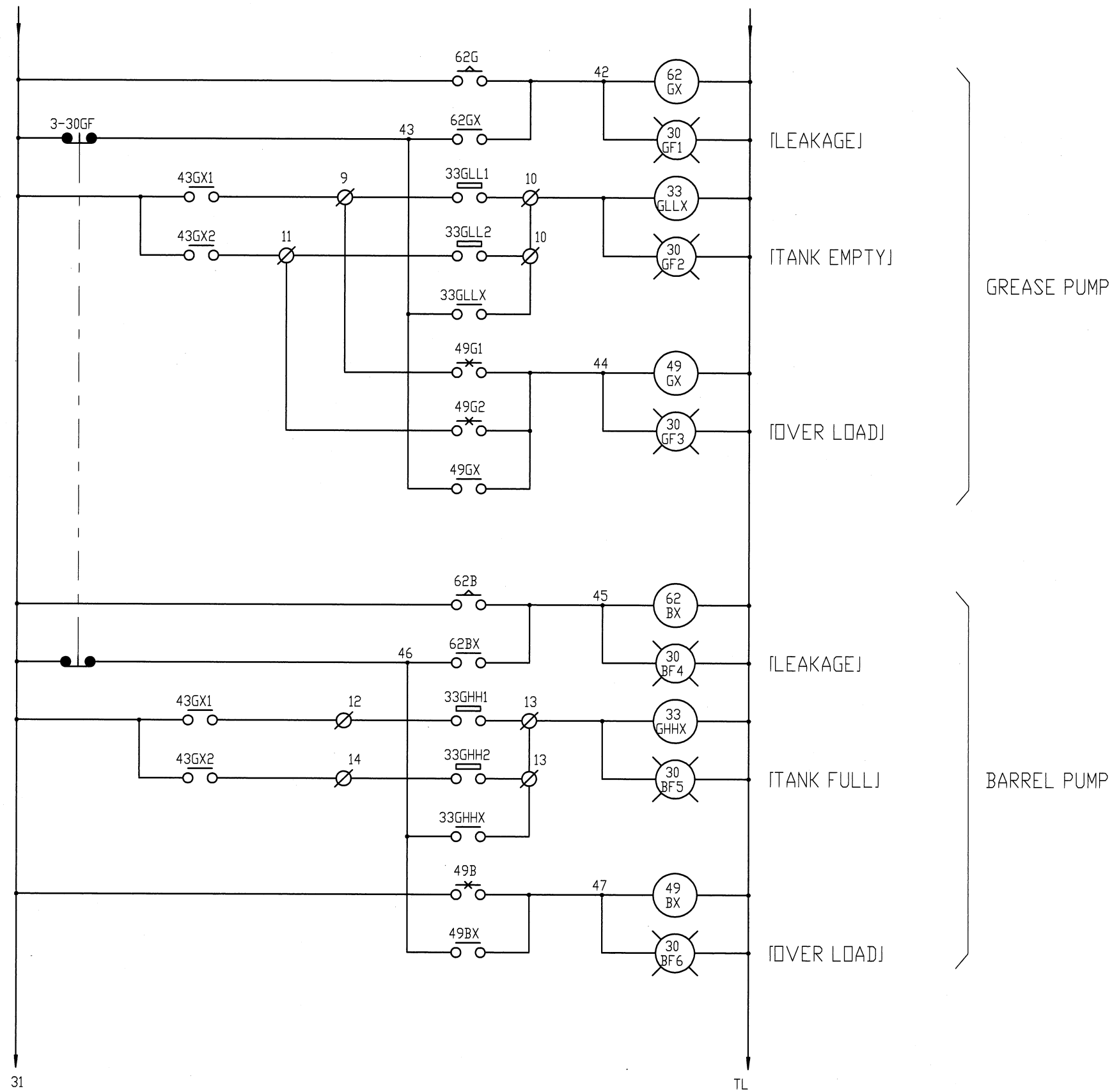
GREASE PUMP

BARREL PUMP

REFERENCE

<table border="1"> <tr><td>4</td><td></td><td></td><td></td><td></td></tr> <tr><td>3</td><td></td><td></td><td></td><td></td></tr> <tr><td>2</td><td></td><td></td><td></td><td></td></tr> <tr><td>1</td><td></td><td></td><td></td><td></td></tr> </table>	4					3					2					1					<table border="1"> <tr><th>MARK</th><th>Q'TY</th><th>REVISIONS</th><th>DATE</th><th>CHK'D</th><th>APR'D</th></tr> <tr><td> </td><td> </td><td> </td><td> </td><td> </td><td> </td></tr> <tr><td> </td><td> </td><td> </td><td> </td><td> </td><td> </td></tr> <tr><td> </td><td> </td><td> </td><td> </td><td> </td><td> </td></tr> </table>	MARK	Q'TY	REVISIONS	DATE	CHK'D	APR'D																			<b>TITLE</b> MODEL EN-H1571 ELECTRIC CONTROL PANEL CONNECTION DIAGRAM	<b>MFG.NO.</b> H18-240	<b>APPROVED</b> M.Honda	<b>DRAWING.NO.</b> HE3213901	<table border="1"> <tr><td>3/6</td></tr> <tr><td>△</td></tr> </table>	3/6	△
	4																																																			
	3																																																			
	2																																																			
1																																																				
MARK	Q'TY	REVISIONS	DATE	CHK'D	APR'D																																															
3/6																																																				
△																																																				
<b>DATE</b> AUG. 14, 1999	<b>CHECKED</b> K.Kashima																																																			
DAIKIN LUBRICATION PRODUCTS & ENGINEERING CO.,LTD.	<b>DRAWN</b> K.F																																																			

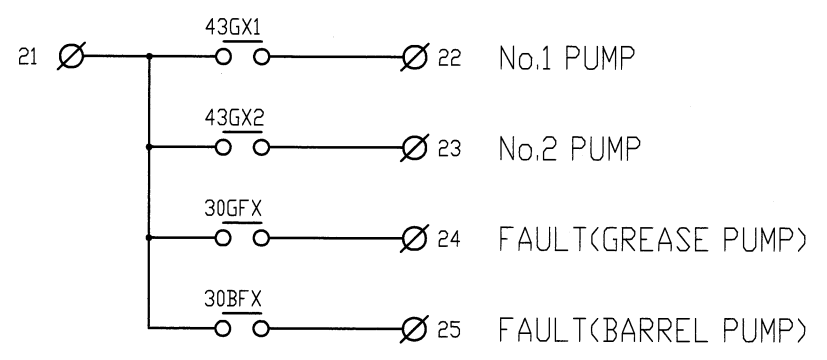
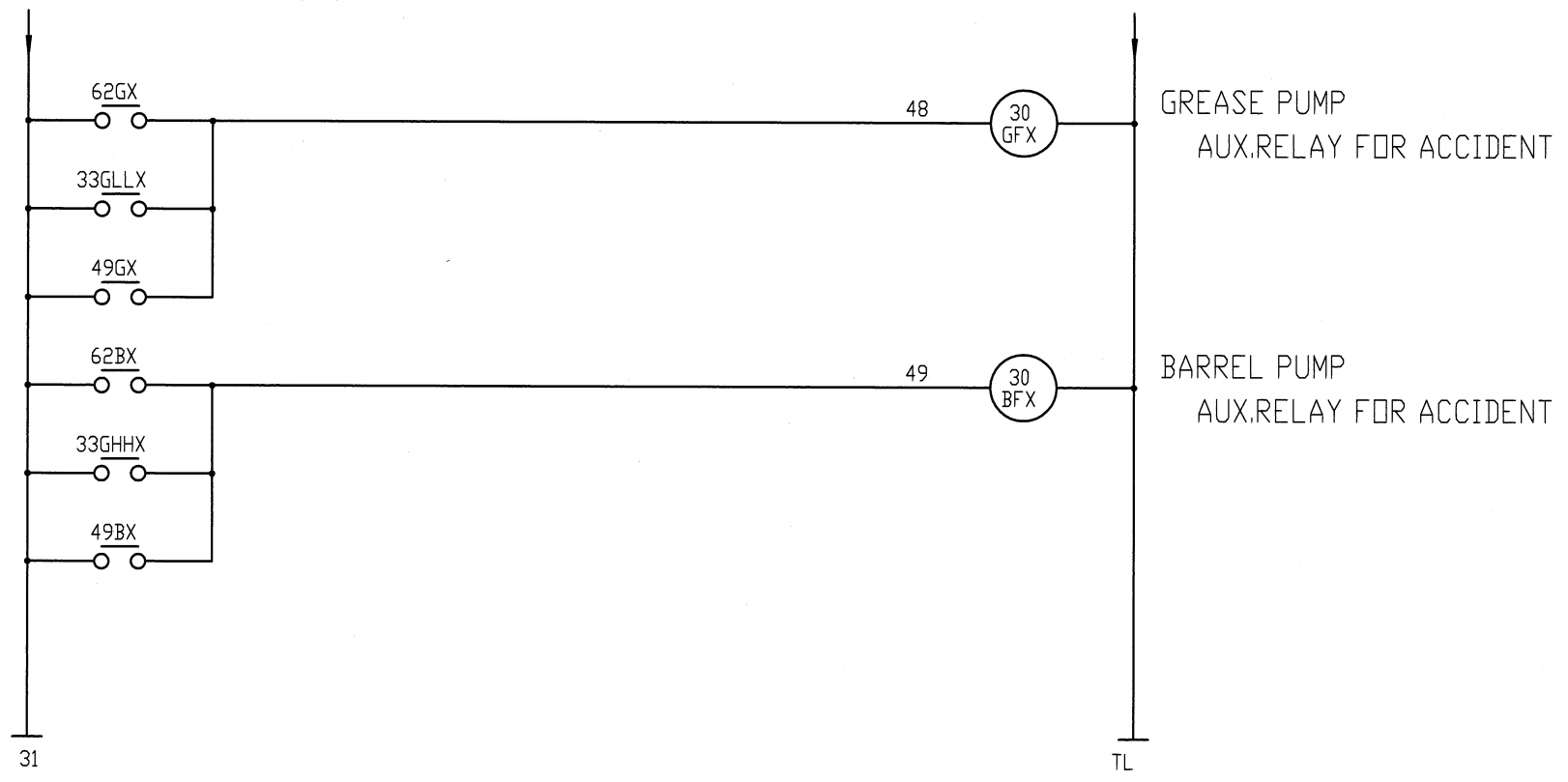
1  
2  
3  
4  
5  
6  
7  
8  
9  
10  
11  
12  
13  
14  
15  
16  
17  
18  
19  
20



REFERENCE

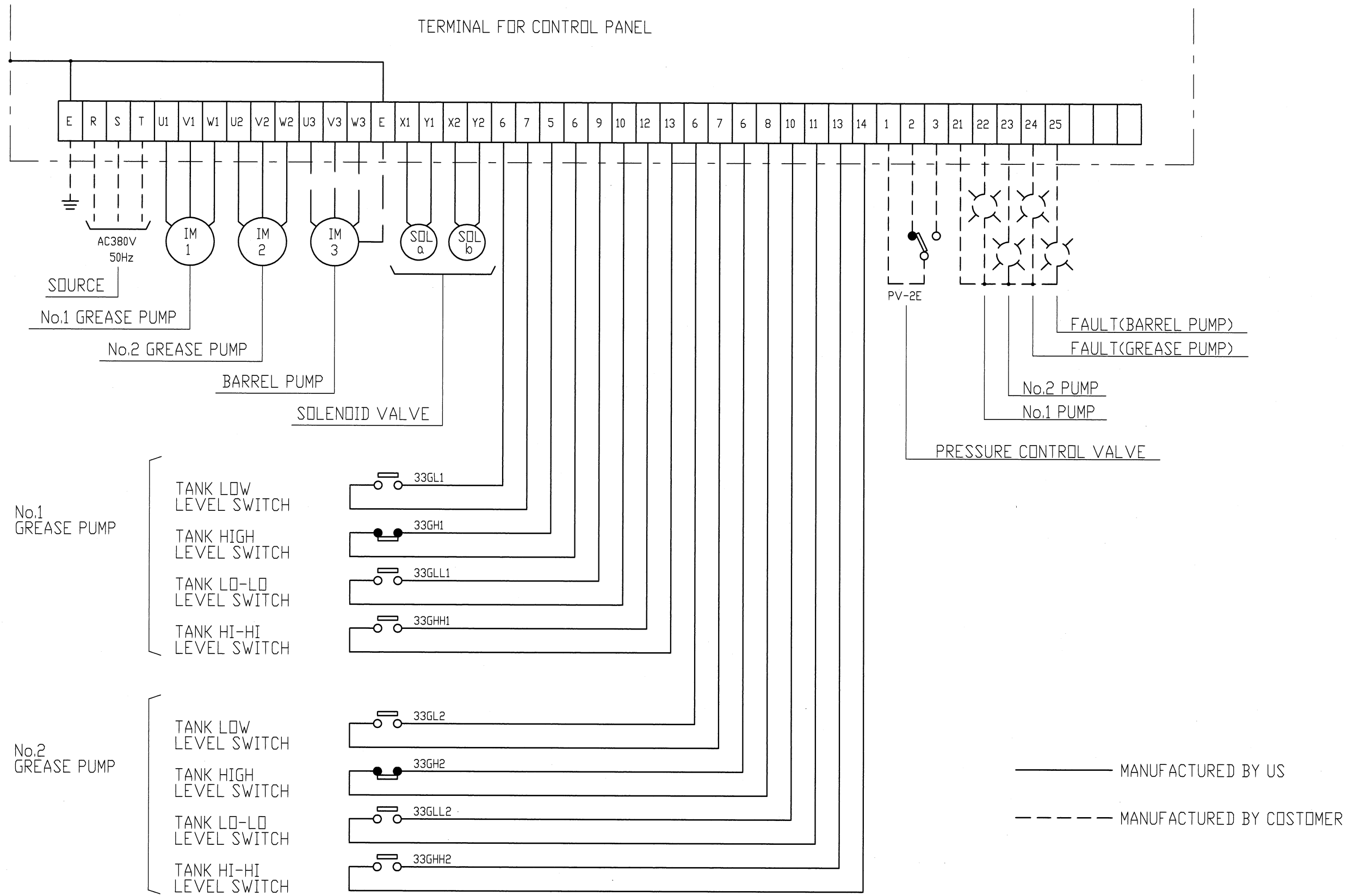
<table border="1"> <tr><td>4</td><td></td><td></td><td></td><td></td></tr> <tr><td>3</td><td></td><td></td><td></td><td></td></tr> <tr><td>2</td><td></td><td></td><td></td><td></td></tr> <tr><td>1</td><td></td><td></td><td></td><td></td></tr> </table>	4					3					2					1					TITLE					MFG.NO.	H18-240	APPROVED	M.Honda	DRAWING.NO.	
	4																														
	3																														
	2																														
1																															
MODEL EN-H1571					DATE	AUG. 14. 1999	CHECKED		HE3213901																						
ELECTRIC CONTROL PANEL					DAIKIN LUBRICATION PRODUCTS		DRAWN	K.Kashima				4/6																			
CONNECTION DIAGRAM					& ENGINEERING CO.,LTD.			K.F.	△																						
MARK	Q'TY	REVISIONS	DATE	CHK'D	APR'D																										

1  
2  
3  
4  
5  
6  
7  
8  
9  
10  
11  
12  
13  
14  
15  
16  
17  
18  
19  
20



REFERENCE

						<b>TITLE</b> MODEL EN-H1571 ELECTRIC CONTROL PANEL CONNECTION DIAGRAM	<b>MFG.NO.</b> H18-240	<b>APPROVED</b> M.Honda	<b>DRAWING.NO.</b>	
							<b>DATE</b> AUG. 14, 1999	<b>CHECKED</b> K.Kashima	HE3213901	
							DAIKIN LUBRICATION PRODUCTS & ENGINEERING CO.,LTD.	<b>DRAWN</b> K.F	5/6	
	<b>MARK</b>	<b>Q'TY</b>	<b>REVISIONS</b>	<b>DATE</b>	<b>CHK'D</b>		<b>APR'D</b>			



REFERENCE

4					<b>TITLE</b> MODEL EN-H1571 ELECTRIC CONTROL PANEL WIRING DIAGRAM	<b>MFG.NO.</b>	H18-240	<b>APPROVED</b>	M.Honda	<b>DRAWING.NO.</b>	
3						<b>DATE</b>	AUG. 14. 1999	<b>CHECKED</b>		HE3213901	6/6
2						DAIKIN LUBRICATION PRODUCTS & ENGINEERING CO.,LTD.		<b>DRAWN</b>	K.F		△
1											
<b>MARK</b>	<b>Q'TY</b>	<b>REVISIONS</b>	<b>DATE</b>	<b>CHK'D</b>	<b>APR'D</b>						