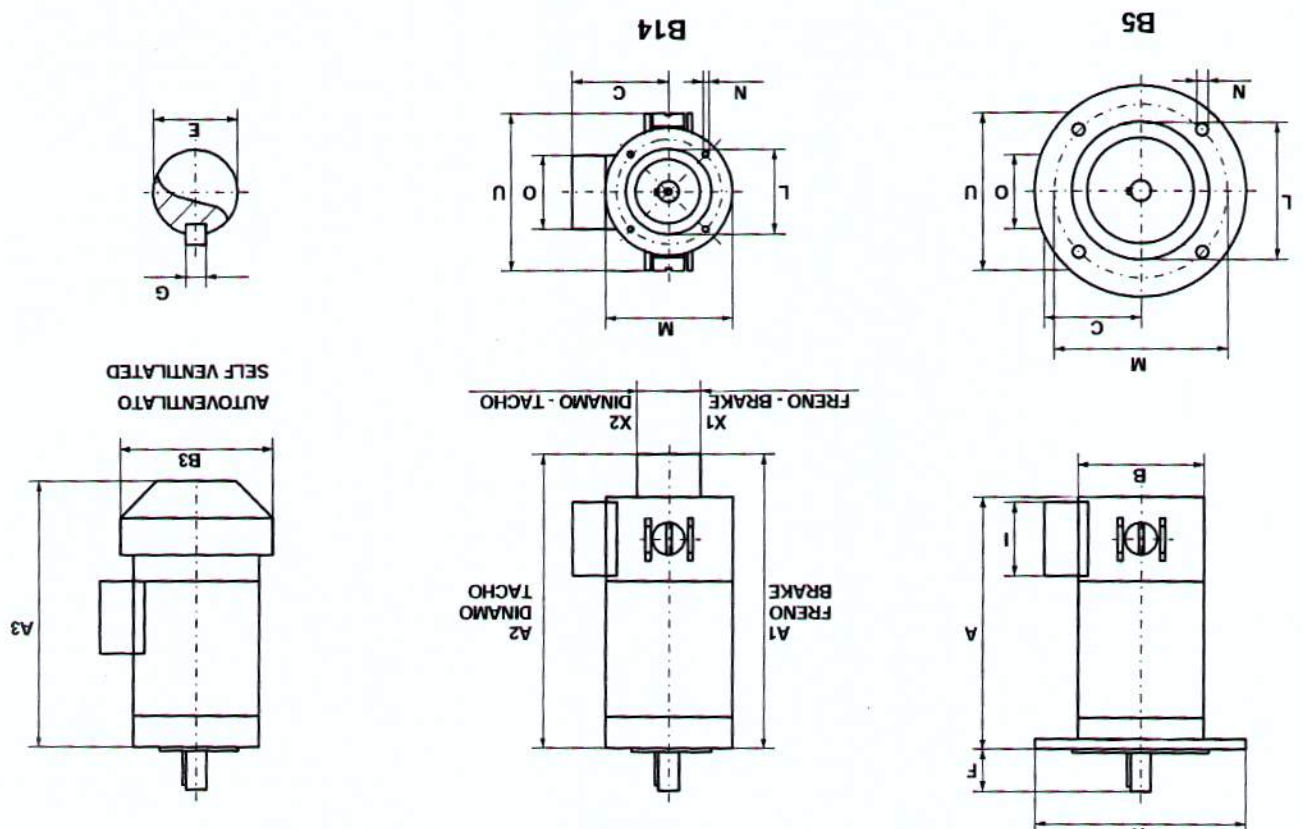


MPT	INGOMBRO DIMENSIONS												ALBERO SHAFT						FLANGIA B5 FLANGE B5						FLANGIA B14 FLANGE B14						PESO WEIGHT KG
	A	B	C	I	O	U	A1	X1	A2	X2	A3	B3	E	F	G	K	L	M	N	K	L	M	N	K	L	M	N				
40	139	80	78	29	29	106	183	59	219	65	165	110	9	18	3	120	80	100	7	80	50	65	M5	2							
50	149	80	78	29	29	106	193	59	229	65	175	110	9	18	3	120	80	100	7	80	50	65	M5	2.3							
65	161	80	78	29	29	106	205	59	241	65	187	110	9	18	3	120	80	100	7	80	50	65	M5	2.7							
80	174	80	78	29	29	106	218	59	254	65	200	110	9	18	3	120	80	100	7	80	50	65	M5	3.1							
100	194	80	78	29	29	106	238	59	274	65	220	110	11	23	4	140	95	115	9	90	60	75	M5	3.7							
150	249	80	78	29	29	106	293	59	329	65	275	110	11	23	4	140	95	115	9	90	60	75	M5	4.8							
201	184	105	84	71	71	136	234	87	264	65			14	30	5	160	110	130	9	105	70	85	M6	4.5							
201	237	105	84	71	71	136	287	87	317	65			14	30	5	160	110	130	9	105	70	85	M6	7							
203	248	120	92	71	71	150	305	105	328	65			19	40	6	200	130	165	11	120	80	100	M6	10							
204	284	120	92	71	71	150	341	105	364	65			19	40	6	200	130	165	11	120	80	100	M6	12							



MPT	V	1500rpm					2000rpm					2400rpm					3000rpm					TORQUE	COPPIA	CTT
		W	A	W	A	W	A	W	A	W	A	W	A	W	A	W	A	W	A					
40	12	50	5.5	67	7.3	80	8.8	100	11	100	5.5	100	11	100	5.5	100	2.7	100	2.7	100	1.45	100	1.45	Nm 0.33 Min 45
	24	50	2.7	67	3.6	80	4.4	100	5.5	100	2.7	100	5.5	100	2.7	100	2.7	100	2.7	100	1.45	100	1.45	
	48	50	1.4	67	1.8	80	2.2	100	2.7	100	1.4	67	1.8	80	2.2	100	2.7	100	2.7	100	1.45	100	1.45	
	90	50	0.73	67	0.97	80	1.16	100	1.45	100	0.73	67	0.97	80	1.16	100	1.45	100	1.45	100	0.77	100	0.77	
	170	50	0.39	67	0.50	80	0.62	100	0.77	100	0.39	67	0.50	80	0.62	100	0.77	100	0.77	100	0.77	100	0.77	
50	12	70	7.5	95	10	110	11.7	140	15	140	7.5	140	15	140	7.5	140	15	140	15	140	7.5	140	15	Nm 0.46 Min 45
	24	70	3.5	95	4.8	110	6	140	8	140	3.5	140	8	140	3.5	140	8	140	8	140	3.5	140	8	
	48	70	1.8	95	2.4	110	3	140	4	140	1.8	140	4	140	1.8	140	4	140	4	140	1.8	140	4	
	90	70	1	95	1.4	110	1.6	140	2	140	1	95	1.4	110	1.6	140	2	140	2	140	1.1	140	1.1	
	170	70	0.55	95	0.75	110	0.9	140	1.1	140	0.55	95	0.75	110	0.9	140	1.1	140	1.1	140	1.1	140	1.1	
65	12	100	10.7	135	14.4	160	17	200	21.4	200	10.7	200	21.4	200	10.7	200	21.4	200	21.4	200	10.7	200	21.4	Nm 0.65 Min 45
	24	100	5.4	135	7.2	160	8.5	200	10.7	200	5.4	200	10.7	200	5.4	200	10.7	200	10.7	200	5.4	200	10.7	
	48	100	2.7	135	3.6	160	4.3	200	5.4	200	2.7	200	5.4	200	2.7	200	5.4	200	5.4	200	2.7	200	5.4	
	90	100	1.4	135	1.9	160	2.3	200	2.9	200	1.4	135	1.9	160	2.3	200	2.9	200	2.9	200	1.4	135	1.9	
	170	100	0.75	135	1	160	1.2	200	1.5	200	0.75	135	1	160	1.2	200	1.5	200	1.5	200	0.75	135	1	
80	12	125	13.5	165	18	200	21.5	250	27	250	13.5	250	27	250	13.5	250	27	250	27	250	13.5	250	27	Nm 0.82 Min 45
	24	125	6.7	165	9	200	10.8	250	13.5	250	6.7	250	13.5	250	6.7	250	13.5	250	13.5	250	6.7	250	13.5	
	48	125	3.4	165	4.5	200	5.4	250	6.7	250	3.4	250	6.7	250	3.4	250	6.7	250	6.7	250	3.4	250	6.7	
	90	125	1.8	165	2.4	200	2.9	250	3.6	250	1.8	165	2.4	200	2.9	250	3.6	250	3.6	250	1.8	165	2.4	
	170	125	0.95	165	1.3	200	1.5	250	1.9	250	0.95	165	1.3	200	1.5	250	1.9	250	1.9	250	0.95	165	1.3	
100	12	150	16	200	21.4	240	25.6	300	32	300	16	300	32	300	16	300	32	300	32	300	16	300	32	Nm 0.98 Min 45
	24	150	8	200	10.7	240	12.8	300	16	300	8	300	16	300	8	300	16	300	16	300	8	300	16	
	48	150	4	200	5.3	240	6.4	300	8	300	4	300	8	300	4	300	8	300	8	300	4	300	8	
	90	150	2.1	200	2.8	240	3.4	300	4.3	300	2.1	200	2.8	240	3.4	300	4.3	300	4.3	300	2.1	200	2.8	
	170	150	1.1	200	1.5	240	1.8	300	2.4	300	1.1	200	1.5	240	1.8	300	2.4	300	2.4	300	1.1	200	1.5	
150	12	200	21.5	265	28.4	320	32	400	46	400	21.5	400	46	400	21.5	400	46	400	46	400	21.5	400	46	Nm 1.30 Min 45
	24	200	10.7	265	14.2	320	17.2	400	21.5	400	10.7	400	21.5	400	10.7	400	21.5	400	21.5	400	10.7	400	21.5	
	48	200	5.4	265	7.1	320	8.5	400	10.7	400	5.4	400	10.7	400	5.4	400	10.7	400	10.7	400	5.4	400	10.7	
	90	200	2.9	265	3.8	320	4.6	400	5.7	400	2.9	400	5.7	400	2.9	400	5.7	400	5.7	400	2.9	400	5.7	
	170	200	1.5	265	2	320	2.4	400	3	400	1.5	400	3	400	1.5	400	3	400	3	400	1.5	400	3	
201	12	175	18.6	235	25	280	30	350	37	350	18.6	350	37	350	18.6	350	37	350	37	350	18.6	350	37	Nm 1.14 Min 60
	24	175	9.3	235	12.5	280	15	350	18.7	350	9.3	350	18.7	350	9.3	350	18.7	350	18.7	350	9.3	350	18.7	
	48	175	4.7	235	6.3	280	7.5	350	9.4	350	4.7	350	9.4	350	4.7	350	9.4	350	9.4	350	4.7	350	9.4	
	90	175	2.5	235	3.3	280	4	350	5	350	2.5	350	5	350	2.5	350	5	350	5	350	2.5	350	5	
	170	175	1.3	235	1.8	280	2.1	350	2.8	350	1.3	235	1.8	280	2.1	350	2.8	350	2.8	350	1.3	235	1.8	
202	12	300	32	400	32	480	25.6	600	32	600	32	600	32	600	32	600	32	600	32	600	32	600	32	Nm 1.96 Min 60
	24	300	16	400	22	480	25.6	600	32	600	16	600	32	600	16	600	32	600	32	600	16	600	32	
	48	300	8	400	11	480	12.8	600	16	600	8	600	16	600	8	600	16	600	16	600	8	600	16	
	90	300	4.3	400	5.8	480	6.9	600	8.7	600	4.3	600	8.7	600	4.3	600	8.7	600	8.7	600	4.3	600	8.7	
	170	300	2.3	400	3.1	480	3.7	600	4.6	600	2.3	600	4.6	600	2.3	600	4.6	600	4.6	600	2.3	600	4.6	
203	12	450	12	600	16	720	19.2	900	24	900	12	900	24	900	12	900	24	900	24	900	12	900	24	Nm 2.94 Min 60
	24	450	6.4	600	8.6	720	10.2	900	12.8	900	6.4	900	12.8	900	6.4	900	12.8	900	12.8	900	6.4	900	12.8	
	48	450	3.4	600	4.5	720	5.5	900	6.8	900	3.4	900	6.8	900	3.4	900	6.8	900	6.8	900	3.4	900	6.8	
	90	450	2.3	600	3.1	720	3.7	900	4.6	900	2.3	900	4.6	900	2.3	900	4.6	900	4.6	900	2.3	900	4.6	
	170	450	1.3	600	1.8	720	2.1	900	2.8	900	1.3	900	2.8	900	1.3	900	2.8	900	2.8	900	1.3	900	2.8	
204	12	600	16.5	800	21.4	960	26.4	1200	33	1200	16.5	1200	33	1200	16.5	1200	33	1200	33	1200	16.5	1200	33	Nm 3.92 Min 60
	24	600	8.5	800	11.4	960	13.6	1200	17	1200	8.5	1200	17	1200	8.5	1200	17	1200	17	1200	8.5	1200	17	
	48	600	4.6	800	6	960	7.2	1200	9	1200	4.6	1200	9	1200	4.6	1200	9	1200	9	1200	4.6	1200	9	
	90	600	3.4	800	4.5	960	5.5	1200	6.8	1200	3.4	1200	6.8	1200	3.4	1200	6.8	1200	6.8	1200	3.4	1200	6.8	
	170	600	2.3	800	3.1	960	3.7	1200	4.6	1200	2.3	1200	4.6	1200	2.3	1200	4.6	1200	4.6	1200	2.3	1200	4.6	