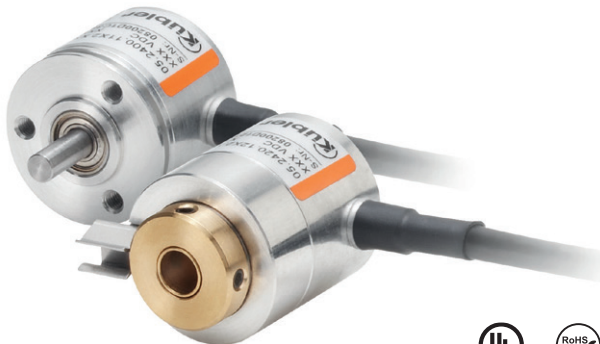


Incremental encoders

Miniature optical

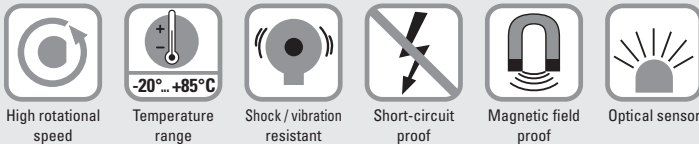
2400 / 2420 (shaft / hollow shaft)

Push-pull, RS422



The incremental miniature encoders type 2400 / 2420 with their optical sensor technology offer a resolution of up to 1024 pulses per revolution.

With a diameter of just 24 mm this encoder is ideal for use where space is tight.



Reliable

- Robust bearing construction.
- Cable outlet boasts high degree of strain relief thanks to multiple clamping.
- Short-circuit proof outputs.

Versatile

- Ideally suited for use in small devices.

Order code Shaft version

05.2400 . XXXX . XXXX
Type a b c d e

If for each parameter of an encoder the underlined preferred option is selected, then the delivery time will be 10 working days for a maximum of 10 pieces. Qts. up to 50 pcs. of these types generally have a delivery time of 15 working days.



a Flange

- 1 = ø 24 mm [0.94"]
- 3 = ø 28 mm [1.10"]
- 2 = ø 30 mm [1.18"]

b Shaft (ø x L)

- 1 = ø 4 x 10 mm [0.16 x 0.39"]
- 3 = ø 5 x 10 mm [0.20 x 0.39"], with flat
- 2 = ø 6 x 10 mm [0.24 x 0.39"]
- 4 = ø 1/4" x 10 mm [1/4" x 0.39"], with flat ¹⁾
- 6 = ø 6 x 10 mm [0.24 x 0.39"], with flat ¹⁾

c Output circuit / power supply

- 1 = push-pull (without inverted signal) / 5 ... 24 V DC
- 2 = push-pull (with inverted signal) / 5 ... 24 V DC
- 3 = push-pull (without inverted signal) / 8 ... 30 V DC
- 4 = push-pull (with inverted signal) / 8 ... 30 V DC
- 6 = RS422 (with inverted signal) / 5 V DC

d Type of connection

- 1 = axial cable, 2 m [6.56'] PVC
- A = axial cable, special length PVC *)
- 2 = radial cable, 2 m [6.56'] PVC
- B = radial cable, special length PVC *)

*) Available special lengths (connection types A, B):
3, 5, 8, 10, 15 m [9.84, 16.40, 26.25, 32.80, 49.21']
order code expansion .XXXX = length in dm
ex.: 05.2400.122A.1024.0030 (for cable length 3 m)

e Pulse rate

- 4, 6, 8, 10, 16, 20, 25, 36, 40, 50, 60, 80, 100, 120, 125, 180, 200, 250, 300, 360, 400, 500, 512, 1000, 1024 (e.g. 360 pulses => 0360)

Optional on request
- other pulse rates

¹⁾ US version.

Incremental encoders

Miniature optical

2400 / 2420 (shaft / hollow shaft)

Push-pull, RS422

Terminal assignment

Output circuit	Type of connection	Cable (isolate unused cores individually before initial start-up)					
1, 3 without inv. signal	1, 2, A, B	Signal:	0 V	+V	A	B	0
		Core color:	WH	BN	GN	YE	GY

Output circuit	Type of connection	Cable (isolate unused cores individually before initial start-up)								
2, 4, 6 with inv. signal	1, 2, A, B	Signal:	0 V	+V	A	\bar{A}	B	\bar{B}	0	$\bar{0}$
		Core color:	WH	BN	GN	YE	GY	PK	BU	RD

+V: Encoder power supply +V DC
 0 V: Encoder power supply ground GND (0 V)
 A, \bar{A} : Incremental output channel A
 B, \bar{B} : Incremental output channel B
 0, $\bar{0}$: Reference signal

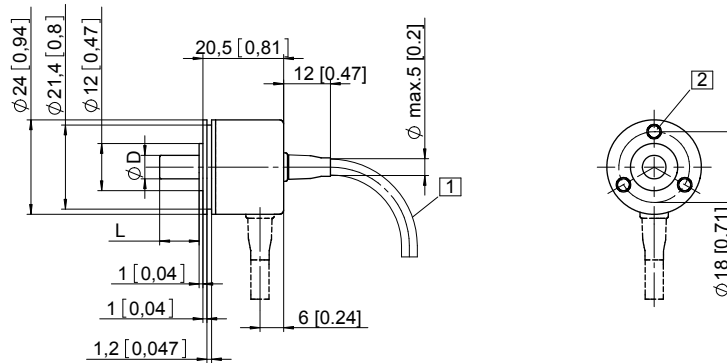
Dimensions shaft version

Dimensions in mm [inch]

Flange type 1, \varnothing 24 [0.94]

- 1 min R50 [1.97]
- 2 3 x M3, 4 [0.16] deep

D	Fit	L
4 [0.16]	f7	10 [0.39]
5 [0.20]	f7	10 [0.39]
6 [0.24]	f7	10 [0.39]
1/4"	f7	10 [0.39]

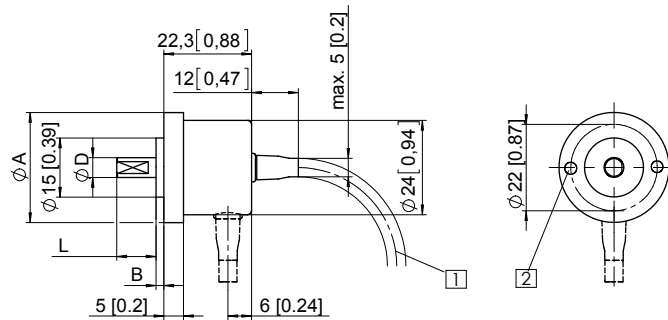


Flange type 2, \varnothing 30 [1.18]

Flange type 3, \varnothing 28 [1.10]

- 1 min R50 [1.97]
- 2 2 x M3, 4 [0.16] deep

D	Fit	L
4 [0.16]	f7	10 [0.39]
5 [0.20]	f7	10 [0.39]
6 [0.24]	f7	10 [0.39]
1/4"	f7	10 [0.39]



Flange type	A	B
2	\varnothing 30 [1.18]	3 [0.12]
3	\varnothing 28 [1.10]	2 [0.08]

Dimensions hollow shaft version

Dimensions in mm [inch]

Flange type 1, \varnothing 24 [0.94]

- 1 4 x M3 DIN 915 - SW1.5
- Recommended torque for the set screw in the clamping ring 0.1 Nm.
 To ensure optimal clamping by the clamping ring, the customer shaft should be without flat surface.

D	Fit	L
4 [0.16]	H7	14 [0.55]
6 [0.24]	H7	14 [0.55]
1/4"	H7	14 [0.55]

L = insertion depth max. blind hollow shaft

