

# Bailey & Mackey Ltd



## Type 3312 & 3412

This series of Pressure Switches are used to monitor the difference between two pressures. For example they can be used to monitor filter condition and signal when the filter is becoming blocked. They can also be used as flow monitoring switches if used across orifice plates etc.

- Robust & Reliable
- Diaphragm Operated
- Proven Performance
- Fully Adjustable
- Enclosure Rating IP65
- CE Marked



### Mechanical Specifications

#### Pressures

Type No.	Pressure Ranges
3312	0.07 to 1 bar
3312	0.2 to 3 bar
3312	0.6 to 8 bar
3312	1 to 20 bar
3412	10 to 160 mbar
3412	20 to 400 mbar

\*Hysteresis is Adjustable on all 3000 Series Pressure Switches typically between 5%-90% of the range

#### Electrical Ratings

10 amp at 250V 50Hz Inductive load

1 amp at 30V dc inductive load

Electrical Connection 4 Pin Plug & Socket

For other voltages and current ratings please consult our Technical Sales Team

#### Standard Materials

<b>Diaphragm</b>	17 / 7PH Stainless Steel
<b>Seals</b>	Nitrile Rubber
<b>Connections</b>	316 Stainless Steel
<b>Housing</b>	316 Stainless Steel
<b>Temperature Range</b>	-10 to +85°C (Process fluid must not solidify)
<b>Temperature Coefficient</b>	0.05% (of range per 0°C from 20°C)
<b>Max Line Pressure</b>	
Pressure Range $\geq$ 250 mbar	34 bar
Pressure Range $<$ 250 mbar	14 bar

## Further Info

---

### Overload

Dimensions of the Diaphragm housing are such that movement is stopped when the diaphragm exceeds the range. This ensures that the differential pressure switches will accept the accidental application of 4 times the range without damage expect for a possible setting shift of up to 2% of the range. It is possible that these switches can be modified to accept the full line pressure on one or both sides of the Diaphragm.

### Installation

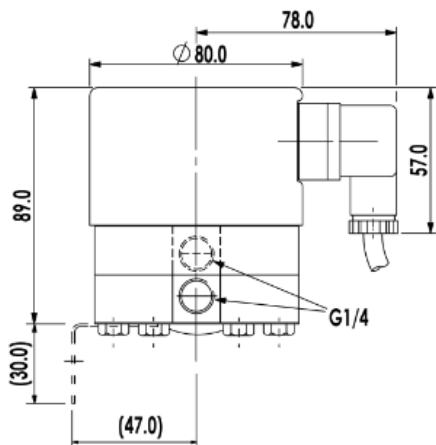
These pressure switches can be mounted directly on the connecting thread. A mounting bracket is available if required.

### Vacuum Use

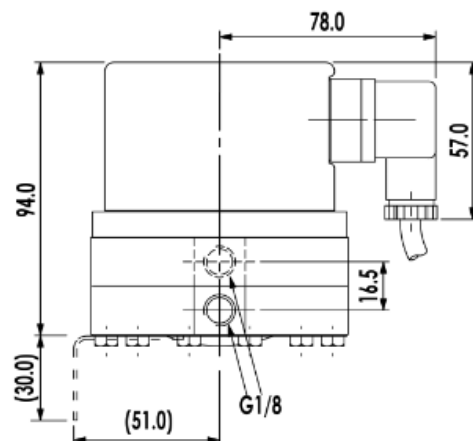
If used to detect the difference between two levels of vacuum a slight modification is needed and vacuum use must be specified when ordering. At ambient pressure the switches will be in the operated condition consequently the wiring should be reversed i.e NO becomes NC.

## Technical Drawings

---



TYPE 3312



TYPE 3412