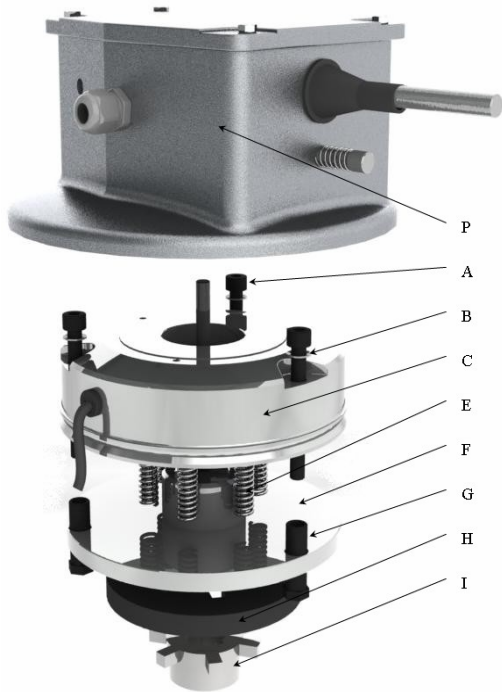


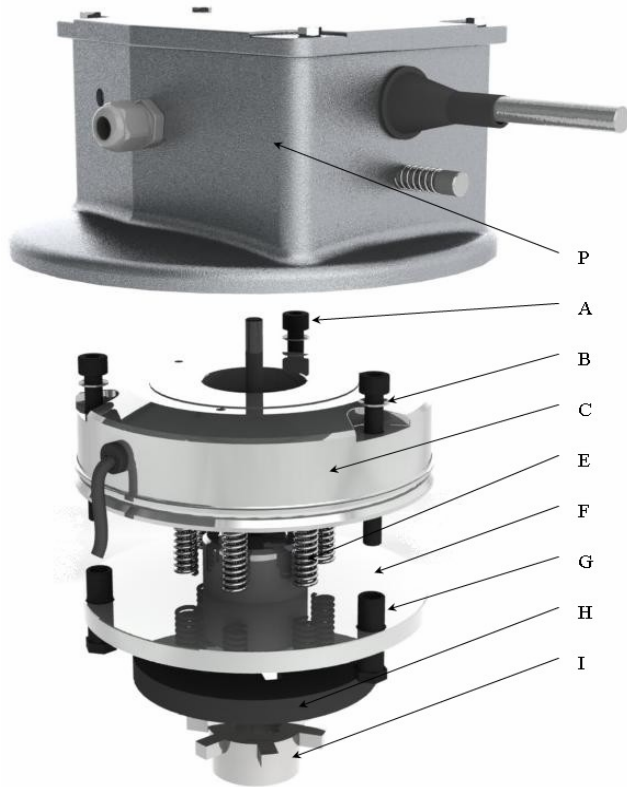
- GR6 a disc-brake for Z6 H24 pinion shaft d. 22 -
 - Ready for free Jib Slewing Safety Module -

020Vdc



BRAKE CODE	ID. PARTS	PART NUMBER	DESCRIPTION	QTY	SPARE PARTS KIT	
GF- B006- P1- 020- PT	A	TIR-B-M08H070	HEX ALLEN BOLT M08 H 70MM	3	R F - B 0 0 6 P 1 - 0 2 0 P T	E C - B 0 0 6 P 1 - 0 2 0 P T
	B	MAR-M08-ZZ	SCHNORR GALVANIZED WASHER M8	3		
	C	ELM-B006-020	COIL GR6 V020	1		
	D			1		
	E	MOL-B-F11	SPRING 12 X 46 FOR BRAKE GR6-GR7	4		
	F	ANM-B006-P	ARMATURE PLATE GR6 READY FOR FJS	1		
	G	REG-B-D12H35	AIR-GAP SETTING SCREW GR6	3		
	H	DSC-B006-PZ06A5	BRAKE DISK DINENTION 6 PIGN Z06 GDA5	1		
	I	PIG-Z06H24D22T	PINION TYPE T-6 TEETH H18 FOR SHAFT D.22	1		
	p	SBL-847DB-xxx	FREE JIB SLEWING SAFETY MODULE (not included,order separately)	1		

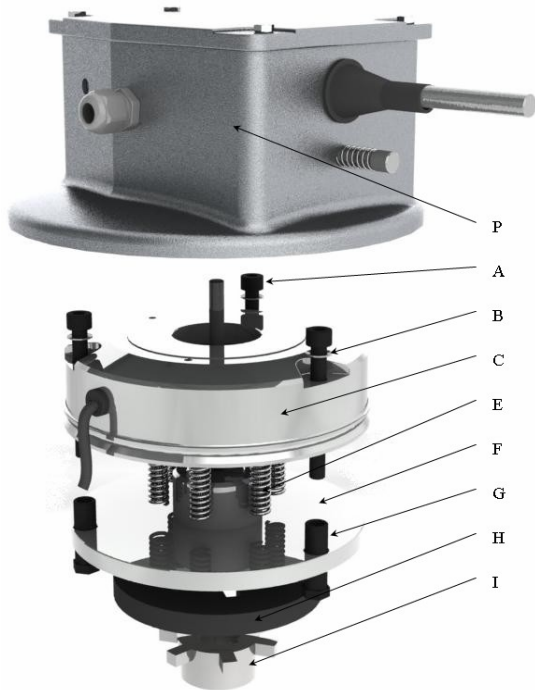
- GR6 a disc-brake for Z6 H24 pinion shaft d. 22 - WITH HEATER - 020Vdc
 - Ready for free Jib Slewing Safety Module -



BRAKE CODE	ID. PARTS	PART NUMBER	DESCRIPTION	QTY	SPARE PARTS KIT	
GF-B006P1A020PT	A	TIR-B-M08H070	HEX ALLEN BOLT M08 H 70MM	3	R F - B 0 0 6 P 1 A 0 2 0 P T	E C - B 0 0 6 P 1 A 0 2 0 P T
	B	MAR-M08-ZZ	SCHNORR GALVANIZED WASHER M8	3		
	C	ELM-B006-A-020	COIL GR6 V020	1		
	D			1		
	E	MOL-B-F11	SPRING 12 X 46 FOR BRAKE GR6-GR7	4		
	F	ANM-B006-P	ARMATURE PLATE GR6 READY FOR FJS	1		
	G	REG-B-D12H35	AIR-GAP SETTING SCREW GR6	3		
	H	DSC-B006-PZ06A5	BRAKE DISK DINENTION 6 PIGN Z06 GDA	1		
	I	PIG-Z06H24D22T	PINION TYPE T - 6 TEETH H18 FOR SHAFT D. 22	1		
	P	SBL-847DB-A	FREE JIB SLEWING SAFETY MODULE (not included,order separately)	1		

- GR6 a disc-brake for Z6 H24 pinion shaft d. 22 -
- WITHOUT RELEASE -

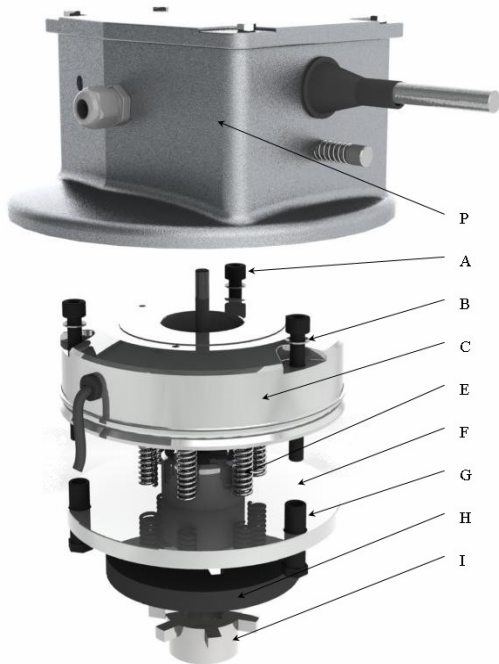
020Vdc



BRAKE CODE	ID. PARTS	PART NUMBER	DESCRIPTION	QTY	SPARE PARTS KIT	
GF-B006P1-020ST	A	TIR-B-M08H070	HEX ALLEN BOLT M08 H 70MM	3	R F - B 0 0 6 P 1 - 0 2 0 S T	E C - B 0 0 6 P 1 - 0 2 0 S T
	B	MAR-M08-ZZ	SCHNORR GALVANIZED WASHER M8	3		
	C	ELM-B006-020	COIL GR6 V020	1		
	D					
	E	MOL-B-F11	SPRING 12 X 46 FOR BRAKE GR6-GR7	4		
	F	ANM-B006-S	ARMATURE PLATE GR6	1		
	G	REG-B-D12H35	AIR-GAP SETTING SCREW GR6	3		
	H	DSC-B006-PZ06A05	BRAKE DISK DINENTION 6 PIGN Z06 GDA	1		
	I	PIG-Z06H24D22T	PINION TYPE T - 6 TEETH H18 FOR SHAFT D. 22	1		
	P	//	NOT ATTACHABLE			

- GR6 a disc-brake for Z6 H24 pinion shaft d. 22 -
 - WITHOUT RELEASE -

020Vdc
 32Nm



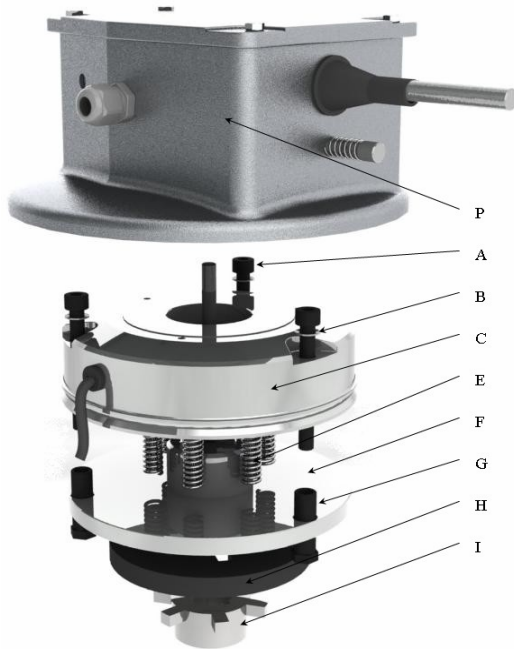
BRAKE CODE	ID. PARTS	PART NUMBER	DESCRIPTION	QTY	SPARE PARTS KIT	
GF - B006P1C020ST	A	TIR-B-M08H070	HEX ALLEN BOLT M08 H 70MM	3	R F - B 0 0 6 P 1 C 0 2 0 S T	E C - B 0 0 6 P 1 C 0 2 0 S T
	B	MAR-M08-ZZ	SCHNORR GALVANIZED WASHER M8	3		
	C	ELM-B006-020	COIL GR6 V020	1		
	D			1		
	E	MOL-B-F11	SPRING 12 X 46 FOR BRAKE GR6-GR7	4		
	F	ANM-B006-S	ARMATURE PLATE GR6	1		
	G	REG-B-D12H35	AIR-GAP SETTING SCREW GR6	3		
	H	DSC-B006-PZ06A	BRAKE DISK DINENTION 6 PIGN Z06 GDA5	1		
	I	PIG-Z06H24D22T	PINION TYPE T - 6 TEETH H18 FOR SHAFT D. 22	1		
	p	//	NOT ATTACHABLE			

- GR6 a disc-brake for Z6 H24 pinion shaft d. 22 -

020Vdc

- WITHOUT RELEASE -

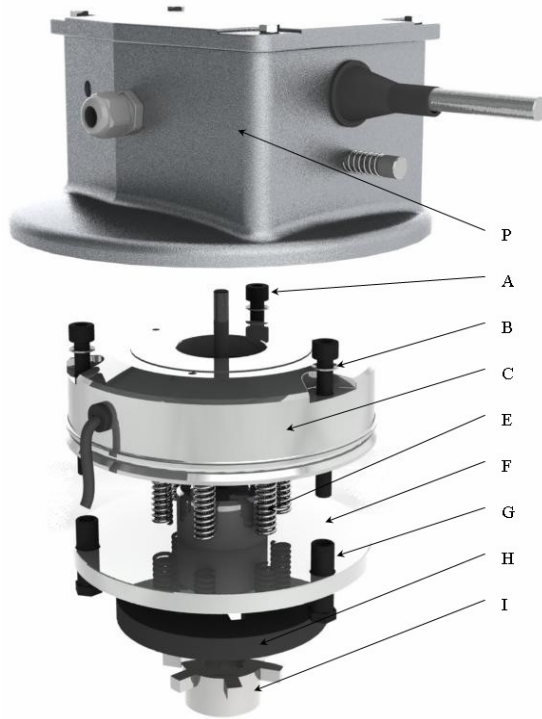
55Nm



BRAKE CODE	ID. PARTS	PART NUMBER	DESCRIPTION	QTY	SPARE PARTS KIT	
GF-B006P1D020ST	A	TIR-B-M08H070	HEX ALLEN BOLT M08 H 70MM	3	R F - B 0 0 6 P 1 D 0 2 0 S T	E C - B 0 0 6 P 1 D 0 2 0 S T
	B	MAR-M08-ZZ	SCHNORR GALVANIZED WASHER M8	3		
	C	ELM-B006-020	COIL GR6 V020	1		
	D					
	E	MOL-B-F11	SPRING 12 X 46 FOR BRAKE GR6-GR7	6		
	F	ANM-B006-S	ARMATURE PLATE GR6	1		
	G	REG-B-D12H35	AIR-GAP SETTING SCREW GR6	3		
	H	DSC-B006-PZ06A	BRAKE DISK DINENTION 6 PIGN Z06 GDA5	1		
	I	PIG-Z06H24D22T	PINION TYPE T - 6 TEETH H18 FOR SHAFT D. 22	1		
	P	//	NOT ATTACHABLE			

- GR6 a disc-brake for Z6 H24 pinion shaft d. 22 -
- WITHOUT RELEASE -

020Vdc
55Nm



BRAKE CODE	ID. PARTS	PART NUMBER	DESCRIPTION	QTY	SPARE PARTS KIT	
GF-B006P1E020ST	A	TIR-B-M08H070	HEX ALLEN BOLT M08 H 70MM	3	R F - B 0 0 6 P 1 E 0 2 0 S T	E C - B 0 0 6 P 1 E 0 2 0 S T
	B	MAR-M08-ZZ	SCHNORR GALVANIZED WASHER M8	3		
	C	ELM-B006-020	COIL GR6 V020	1		
	D			1		
	E	MOL-B-F11	SPRING 12 X 46 FOR BRAKE GR6-GR7	5		
	F	ANM-B006-S	ARMATURE PLATE GR6	1		
	G	REG-B-D12H35	AIR-GAP SETTING SCREW GR6	3		
	H	DSC-B006-PZ06A	BRAKE DISK DINENTION 6 PIGN Z06 GDA5	1		
	I	PIG-Z06H24D22T	PINION TYPE T - 6 TEETH H18 FOR SHAFT D. 22	1		
	P	//	NOT ATTACHABLE			