



Operating manual

Frequency converter

Type: FKO

Status: 10. 2011

Operating manual (Translation of original)

Document number: DOC01.5_475xyz-12345

LEGAL NOTICE

BRINKMANN PUMPEN
K. H. Brinkmann GmbH & Co. KG
Friedrichstraße 2
58791 Werdohl
Germany
Tel. +49 (0)2392 5006-0
Fax +49 (0)2392 5006-180
Sales@BrinkmannPumps.de

Exclusion of liability

All names of usage, trade names, product names or other designations given in this manual may also be legally protected even without special labelling (e.g. as a trademark). The BRINKMANN company assumes no liability for their free usage.

The illustrations and texts have been compiled with great care. Nevertheless, the possibility of errors cannot be ruled out. The compilation is made without any guarantee.

General note on equal treatment

The BRINKMANN company publishers are aware of the meaning of language with regard to the equality of women and men and always make an effort to reflect this in the documentation. The continuous rendition of gender-equitable formulations, however, conflicted with the easy readability of the text. For this reason, the masculine form has been used as a rule.

© 2011 BRINKMANN GmbH & Co. KG

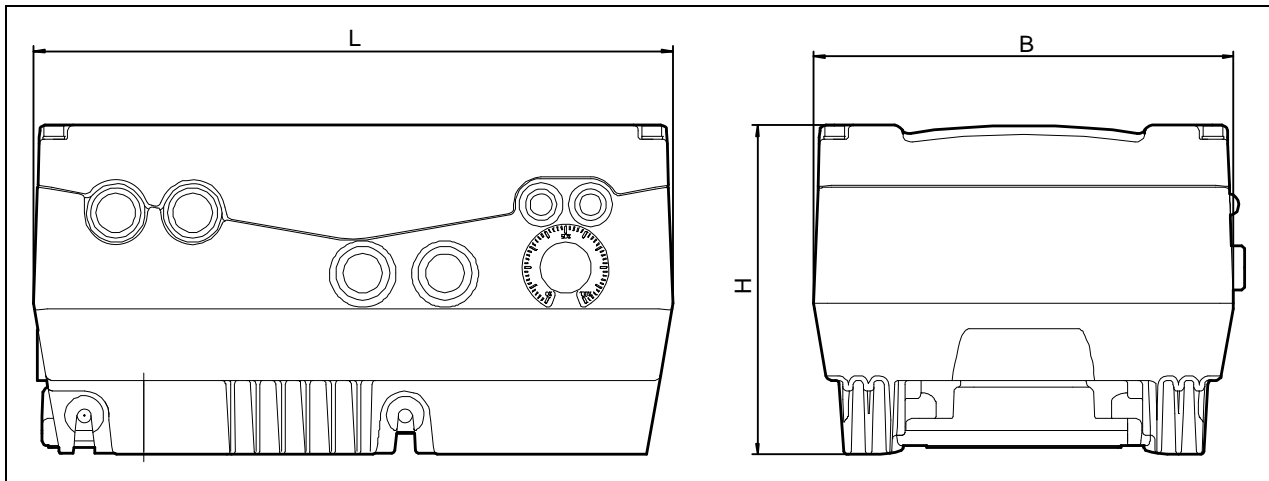
All rights reserved by BRINKMANN, including those of reproduction by photocopy and storage in electronic media. Commercial use or distribution of the texts, displayed models, diagrams and photographs appearing in this product is not permitted. The manual may not be reproduced, stored, transmitted or translated in any form or by means of any medium - in whole or in part - without prior written permission.

Table of contents

1	Important information	6
1.1	Notes on the documentation	6
1.1.1	Other applicable documents	6
1.1.2	Storing the documentation	6
1.1.3	Symbols	6
1.2	Qualified staff	7
1.3	CE marking	7
1.4	Safety instructions	7
1.4.1	General information	8
1.4.2	Transport & storage	9
1.4.3	Commissioning	10
1.4.4	Operation	11
1.4.5	Repairs	12
1.4.6	Disassembly & disposal	12
1.5	Proper use	13
1.6	Responsibility	13
1.7	Contacts for information	14
2	overview of the drive control	15
2.1	Description of the FKO drive control	15
3	Installation	15
3.1	Safety instructions during installation	15
3.2	Installation requirements	16
3.2.1	Suitable ambient conditions	16
3.2.2	Suitable installation location for the motor integrated drive control	17
3.2.3	Basic connection versions	17
3.2.4	Short circuit and ground protection	18
3.2.5	Wiring instructions	19
3.2.6	Preventing electromagnetic interferences	19
3.3	Installing the drive control integrated in the motor	20
3.3.1	Power connection	20
3.3.2	Connections for brake resistor	21
3.3.3	Control connections	21
3.3.4	Terminal connection diagram	24
3.4	Installing the wall-mounted drive control	24
3.4.1	Suitable installation location for wall mounting	24
3.4.2	Mechanical installation	26
3.4.3	Power connection	30
3.4.4	Brake chopper	30
3.4.5	Control connections	30
4	Commissioning	31
4.1	Safety instructions during commissioning	31
4.2	Communication	32
4.3	Block diagram	33
4.4	Start-up steps	34
5	Parameters	35
5.1	Safety instructions for dealing with parameters	35
5.2	General information on parameters	35

5.2.1	Explanation of operating modes	35
5.2.2	Structure of the parameter tables	39
5.3	Application parameters	40
5.3.1	Basic parameters.....	40
5.3.2	Preset speed mode	46
5.3.3	Motorized potentiometer	47
5.3.4	PID process controller	48
5.3.5	Analogue inputs	51
5.3.6	Digital inputs	53
5.3.7	Analogue output.....	54
5.3.8	Digital outputs	55
5.3.9	Relay	56
5.3.10	External fault	58
5.3.11	Motor current limit	58
5.3.12	Stall detection.....	59
5.4	Performance parameters	60
5.4.1	Motor data.....	60
5.4.2	I^2T	63
5.4.3	Switching frequency	64
5.4.4	Controller data.....	64
5.4.5	Squared characteristic.....	67
6	Error detection and troubleshooting	68
6.1	List of the LED flash codes for error recognition	69
6.2	List of errors and system errors.....	70
7	Technical data	73
7.1	General data.....	73
8	Optional accessories	75
9	Guidelines, Norms and Standards	75
9.1	EMV limit classes	75
9.2	Classification acc. to IEC/EN 61800-3	76
9.3	Standards and guidelines.....	76
9.4	Required markings for UL	77
9.5	Quickstart guide.....	78

Overview of installation sizes



Dimensioned drawings

The drive controls are available in the following performance classes and under the specified installation size names.

Installation size FKO motor integrated	A	B	C	D
Recommended motor power [kW]	0.55 / 0.75 / 1.1 / 1.5	2.2 / 3.0 / 4.0	5.5 / 7.5	11.0 / 15.0 / 18.5 / 22.0
Dimensions [L x B x H] mm	233 x 153 x 120	270 x 189 x 133	307 x 223 x 181	414 x 294 x 238

Installation sizes

1 Important information

This chapter contains important information on the safe handling of the product and on the operating manual.

1.1 Notes on the documentation

The following notes are a directory for the overall documentation.

We assume no liability for any damage resulting from the non-observance of this manual.

Provide this manual to the operator of the system so that it will be available when required.

1.1.1 Other applicable documents

This refers to all manuals that describe how to operate the drive control system, and any other manuals for equipment parts in use.

1.1.2 Storing the documentation

Store this manual and all other applicable documents safely so they will be available when required.

1.1.3 Symbols

DANGER

Note on safety: Non-observance will result in death or serious injury.

WARNING

Note on safety: Non-observance can lead to death or serious injury.

ATTENTION!

Non-observance can result in material being damaged and can affect the function of the drive control.



Supplemental information on operating the drive control.

- Action: This symbol indicates that you have to perform an action. The required actions are described step by step.
- This symbol indicates the result of an action.

1.2 Qualified staff

In the context of this operating manual and the notes relating to the product itself, qualified staff refers to electronic specialists that are familiar with the installation, assembly, start-up and operation of the drive control and with the dangers involved, and whose specialist training and knowledge of relevant standards and regulations provide them with the necessary abilities.

1.3 CE marking

With the CE marking, we as the manufacturer of the device confirm that the drive control meets the basic requirements of the following guidelines:

- Directive on Electromagnetic Compatibility (Directive 2004/108/EC of the Council)
- Low Voltage Directive (Directive 2006/95/EC of the Council)

You will find the declaration of conformity at the end of this manual.

1.4 Safety instructions

The following warnings, precautionary measures and comments are provided for your safety and serve to prevent damage to the drive control and the components connected to it. This chapter contains warnings and notes that are generally applicable when handling drive controls. They are separated into general information, transport & storage, start-up, operation, repair and dismantling & disposal.

Specific warnings and comments that apply to specific activities are placed at the start of the appropriate chapters and are repeated and enhanced at different critical points within these chapters.

Please read this information carefully, as it is provided for your personal safety and will also support a longer life for the drive control and the connected devices.

1.4.1 General information

WARNING

This drive control contains dangerous voltage and controls revolving mechanical parts that may be dangerous.

Disregarding warnings or non-compliance with the notes in this manual can result in death, serious injury or serious damage to property.

- Only appropriately trained persons may perform work on this drive control. These persons must be familiar with all safety instructions and all measures relating to installation, operation and maintenance that are contained in this manual. Proper and safe operation of the drive control requires proper transport, installation, operation and maintenance.
-

WARNING

Danger of fire or electric shock.

Improper use, changes and the use of spare parts and accessories not sold or recommended by the manufacturer of the drive control can cause fire, electric shock and injury.

- The cooling elements in the drive control and motor can reach temperatures above 70 °C. Ensure that there is sufficient distance from neighbouring components during installation. Allow sufficient cooling time before working on the drive control or the motor. If necessary, protection should be installed against accidental contact.
-

ATTENTION!

The drive control can only be operated safely if the required environmental conditions listed in the “Suitable environmental conditions” chapter are fulfilled.

ATTENTION!

This operating manual must be accessible near the device and available to all users.

ATTENTION!

Please read these safety instructions and warnings before installation and start-up; this also applies to all warning signs attached to the device. Make sure that the warning signs are legible and replace missing or damaged signs.

1.4.2 Transport & storage

ATTENTION!

Risk of damaging the drive control.

If the notes are not observed, the drive control could be damaged and destroyed during subsequent start-up.

- Proper and safe operation of the drive control requires proper storage, set-up and assembly as well as careful operation and maintenance. The drive control must be protected from mechanical jolts and vibrations during transport and storage. Protection from impermissible temperatures (see technical data) must also be guaranteed.
-

1.4.3 Commissioning

WARNING

Danger of injury through electric shock.

Non-observance of warnings can result in serious injury or damage.

- Only hard-wired network connections are permitted. The device must be grounded (DIN EN 61140; VDE 0140-1).
 - Frequency converters of the FKO series can contain contact currents (leakage currents) > 3.5 mA. According to chapter 4.3.5.5.2 of DIN EN 61800-5-1, a reinforced protective ground wire (at least 10 mm² Cu or 16 mm² Al) must be used.
 - If three-phase frequency converters are in use, it is not permitted to use standard type A FI protection switches, or RCDs (residual current-operated protective devices) to protect from direct or indirect contact. According to DIN VDE 0160, section 5.5.2 and EN 50178, section 5.2.11.1, the FI protection switch must be universal current sensitive (RCD type B).
 - The following terminals can lead to dangerous currents even when the motor is not running:
 - Supply terminals X1: L1, L2, L3
 - Motor connection terminals X2: U, V, W
 - Connecting terminals X6, X7: Relay contacts for relays 1 and 2
 - If different voltages are in use (e.g. +24 V/230 V), crossing cable runs are never permitted. The operator must also ensure compliance with the applicable regulations (e.g. double or strengthened insulation acc. to DIN EN 61800-5-1).
 - The drive control contains components susceptible to electrical discharge. These components can be destroyed through improper handling; therefore, precautionary measures against electrostatic charges must be taken when work is performed on these components.
-

1.4.4 Operation

WARNING

Danger of injury due to electric shocks or restarting motors.

Non-observance of warnings can result in serious injury or damage.

- Observe the following instructions during operation:
 - The drive control works with high voltages.
 - When electrical devices are operated, some parts of them are always subject to dangerous voltage.
 - Emergency off equipment according to DIN EN 60204-1; VDE 0113-1:2007-06 has to be functional in all operating modes of the control device. Resetting the emergency stop equipment may not result in uncontrolled or undefined restarting.
 - In order to ensure safe disconnection from the mains, the mains cable has to be all-pole disconnected from the drive control.
 - Certain parameter settings can result in the drive control restarting automatically after the supply voltage has failed.
-

ATTENTION!

Risk of damaging the drive control.

If the notes are not observed, the drive control could be damaged and destroyed during subsequent start-up.

- Observe the following instructions during operation:
 - The motor parameters, especially the I^2T settings, have to be configured properly to provide proper motor overload protection.
 - The drive control contains internal motor overload protection. See P0610 (level 3) and P0335. I^2T is ON by default. Motor overload protection can also be ensured via an external PTC.
 - The drive control may not be used as “Emergency-off equipment” (see DIN EN 60204-1; VDE 0113-1:2007-06).
 - Drive controls are maintenance-free if operated properly. If the air contains dust, the cooling fins of the motor and drive control have to be cleaned regularly.
-

1.4.5 Repairs

ATTENTION!

Risk of damaging the drive control.

If the notes are not observed, the drive control could be damaged and destroyed during subsequent start-up.

- Repairs of the drive control may only be performed by the BRINKMANN Service department.
-

WARNING

Danger of injury through electric shock.

Non-observance of warnings can result in serious injury or damage.

- When the drive control is disconnected from the mains voltage, parts and connections of the device subject to current may not be touched immediately in case the condensers are still charged.
-

1.4.6 Disassembly & disposal



Screw and snap-on connections are easy to release and allow the drive control to be dismantled into its individual parts. These parts can be sorted for recycling. Please comply with local regulations during disposal.



Components with electronic parts may not be placed in normal household waste. They have to be collected separately with old electric and electronic equipment in accordance with applicable legislation.

1.5 Proper use

If the device is installed in a machine, converters may not be started up (i.e. intended operation may not begin) until it has been determined that the machine complies with the regulations in EC Directive 2006/42/EC (machine directive); DIN EN 60204-1; VDE 0113-1:2007-06 must be observed.

Start-up (i.e. beginning intended operation) is only permitted if the EMV Directive (2004/108/EC) is complied with.

The harmonised standards of series DIN EN 50178; VDE 0160:1998-04 have to be applied for this drive control along with DIN EN 60439-1; VDE 0660-500:2005-01.

This drive control may not be operated in areas where there is a danger of explosion.

Repairs may only be performed by authorised repair bodies. Independent and unauthorised intervention can result in death, injury and damage. The warranty provided by BRINKMANN will be invalidated in this case.

External mechanical loads such as stepping on the housing are not permitted.



Using drive units in equipment that is not fixed is considered as an exceptional environmental condition and is only permitted if allowed by the standards and guidelines applicable on site.

1.6 Responsibility

As a basic principle, electronic devices are not fail-proof. The operator and/or the contractor setting up the machine or system is responsible for ensuring that the drive is moved to a safe state if the device fails.

Section “Electrical equipment of machines” in DIN EN 60204-1; VDE 0113-1:2007-06, “Safety of machinery” describes the safety requirements for electric control units. These are provided for the safety of persons and machines, and in order to retain the functional capability of the machine or system; they have to be observed.

The function of an emergency-off feature does not have to result in the power supply for the drive being switched off. In order to prevent danger, it can be useful to keep individual drives in operation or initiate specific safety procedures. The performance of emergency-off measures is evaluated by

means of a risk assessment for the machine or system and its electrical equipment, and is determined with a selection of the circuit category according to DIN EN 13849 “Safety of machinery – Safety-related parts of control systems”.

1.7 Contacts for information

Further information is available from:

Tel: +49 2392 5006-0

Monday to Friday: 7.00 to 17.00 (local time)

Fax: +49 2392 5006-180

Email: Sales@BrinkmannPumps.de

Internet address

Customers can access technical and general information from the following address:

<http://www.BrinkmannPumps.com>

2 Overview of the drive control

This chapter contains information on the scope of delivery for the drive control and the function description.

2.1 Description of the FKO drive control

The FKO drive control is a device for speed control in three-phase a.c. motors.

The drive control can be integrated in the motor (with the standard adapter plate) or close to the motor (with the wall installation adapter plate).

The permitted ambient temperatures specified under Technical data refer to operation at nominal load. In many cases of application, higher temperatures may be permitted after a detailed technical analysis. These have to be approved by BRINKMANN for each individual case.

3 Installation

3.1 Safety instructions during installation

WARNING

- Installation may be performed only by appropriately qualified employees who are trained in the set-up, installation, start-up and operation of the product. Work performed on the drive control by unqualified staff and non-observance of warnings can result in serious injury or damage.
 - The device must be grounded in accordance with DIN EN 61140; VDE 0140, NEC and other relevant standards. Mains connections must be hardwired.
-

3.2 Installation requirements

3.2.1 Suitable ambient conditions

Altitude of the installation site:	up to 1,000 m above sea level / over 1,000 m with reduced performance (1% per 100 m) (max. 2,000 m)
Ambient temperature:	-25 °C to +50 °C (different ambient temperatures may be possible in individual cases)
Relative humidity:	≤ 96%, condensation not permitted
Resistance to vibration and shock:	acc. to FN 942 017 part 4; 5.3.3.3 Combined test 2; 5...200 Hz for sinusoidal oscillation
Electromagnetic compatibility:	Immune to interference acc. to DIN EN 61800-3
Cooling:	Surface cooling: installation sizes A to C: free convection; installation size C: optionally with integrated fan installation size D: with integrated fans

Tab. 1: Ambient conditions

- Make certain that the housing type (protection type) is suitable for the operating environment:
 - Ensure that the seal between the motor and the adapter plate is inserted correctly.
 - All unused cable screw connections have to be sealed.
 - Check that the cover of the drive control is closed and bolted down tightly.

Although the drive control can, in principle, be subsequently painted, the user must nevertheless check the material compatibility of the paint that is to be used. A failure to comply with this can eventually result in the loss of the protection class (particularly in respect of seals and fibre-optic elements). The standard colour is black (RAL 9005).

Disassembling the circuit boards (even for the purpose of painting the housing sections) renders the warranty void!

Mounting points and sealing surfaces must be kept free of paint for purposes of EMC and earthing!

3.2.2 Suitable installation location for the motor integrated drive control

- Ensure that the motor with a motor integrated drive control is only installed and operated if aligned as shown in the following image.

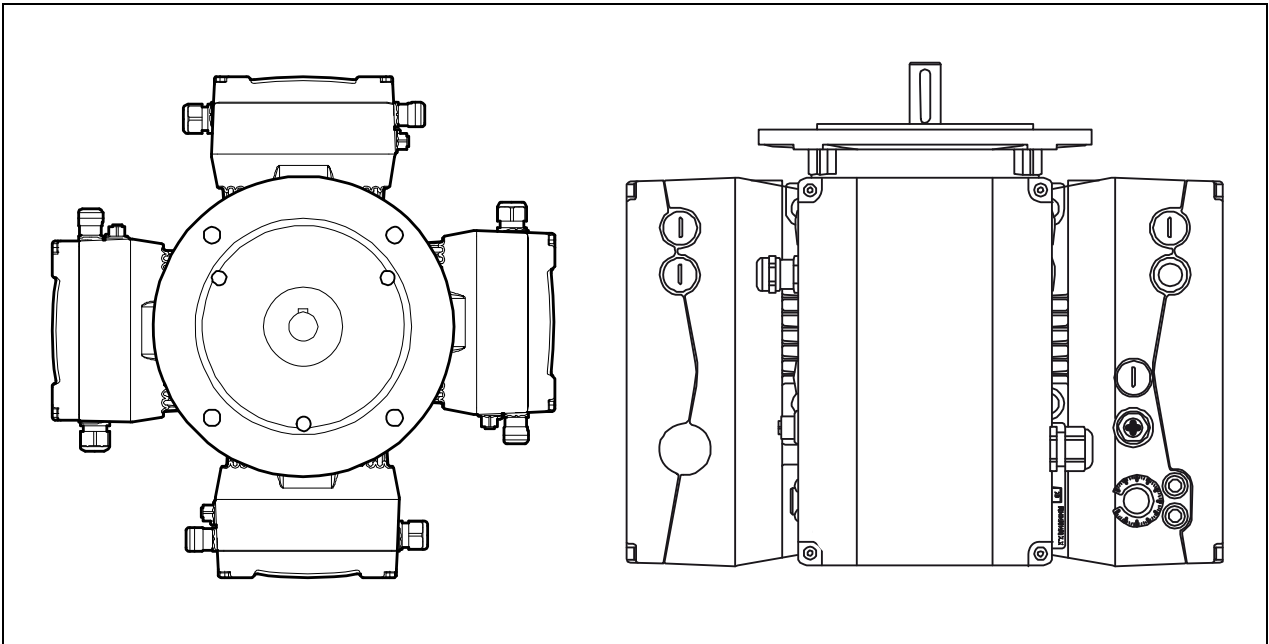


Fig. 1: Motor installation location/permitted alignments

3.2.3 Basic connection versions

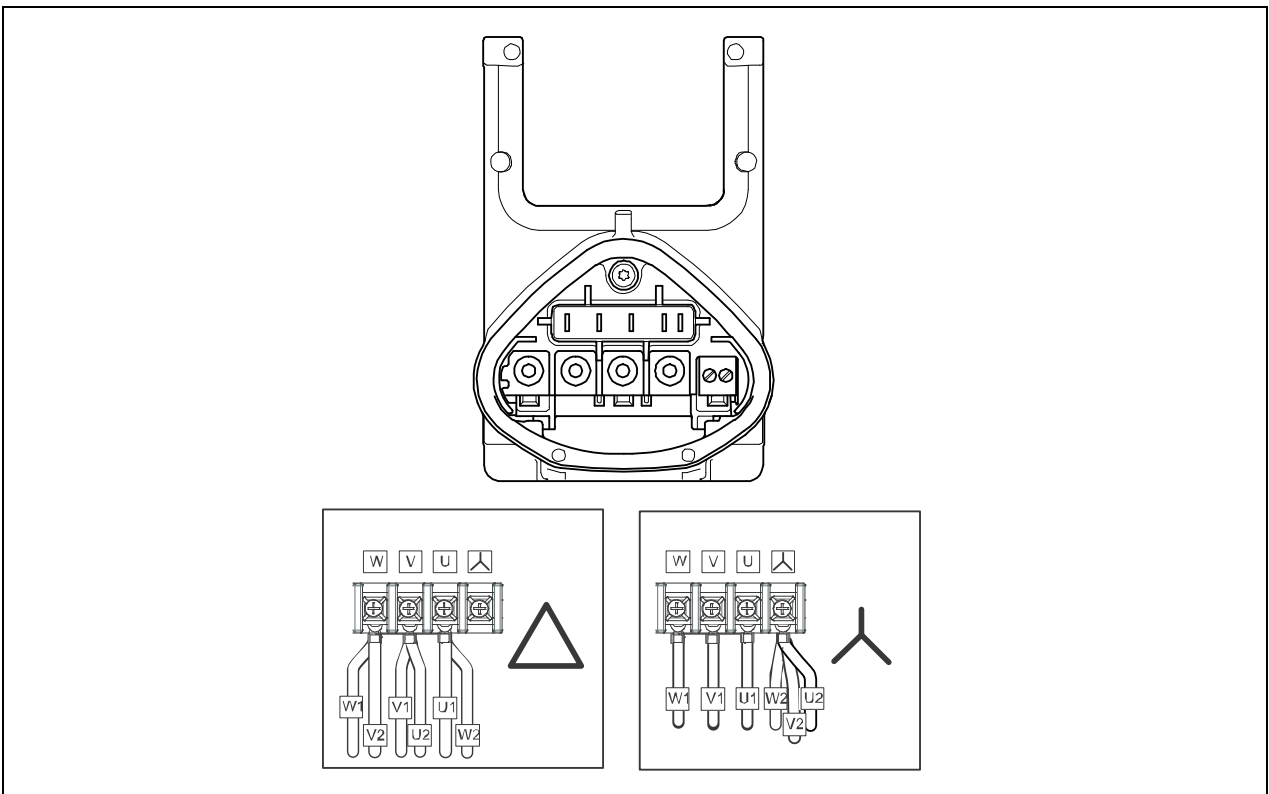


Fig. 2: Star or triangle connection for drive controls integrated in the motor

ATTENTION!

Risk of damaging the drive control.

The correct phase sequence must be observed when the drive control is connected, as the motor could otherwise be overloaded.

- Ensure that the phase sequence is correct when connecting the motor.
-

The supplied assembly material can be used to connect core end sleeves and cable shoes. Fig. 4 shows the different connection options.



Unused open cable ends in the motor terminal box must be insulated.



If a PTC or Klixon is used, the electric jumper fitted on the connection terminal for the PTC in the delivery state has to be removed.

The cross-section of the supply line has to be designed according to the transfer category and the maximum permitted current. The contractor starting up the device must ensure the power line protection.

3.2.4 Short circuit and ground protection

The drive control contains an internal short circuit and ground protection.

3.2.5 Wiring instructions

The control connections of the application card are located inside the drive control.

The configuration can vary, depending on the version.

Terminals: Plug terminal clamp with activation button
(slot screwdriver, max. width 2.5 mm)

Connection cross-section: 0.5 to 1.5 mm², single-wire, AWG 20 to
AWG 14

Connection cross-section: 0.75 to 1.5 mm², fine-wired, AWG 18 to
AWG 14

Connection cross-section: 0.5 to 1.0 mm², fine-wired, (core end
sleeves with and without plastic collar)

Length of stripped insulation: 9 to 10 mm

3.2.6 Preventing electromagnetic interferences

Screened lines should be used for control circuits where possible. The screening should be applied to the line end with special care without laying the leads across longer stretches without screening.

Screening for analogue target values should only be applied on one side of the drive control.

In principle, control lines should always be laid as far away from power-conducting lines; it may be necessary to use separate ducts. If lines do cross, they should do so at an angle of 90°.

Upstream circuit elements, such as protector switches and brake coils, or circuit elements that are operated via the outputs of the drive control have to be interference-suppressed. RC circuits are suitable as a.c. voltage protector switches, while free-wheeling diodes or varistors are usually used as dc voltage protector switches. These interference suppression devices are attached directly to the protector switch coils. Power supply for a mechanical brake may not be carried in the same cable.

Power connections between the drive control and the motor should always be screened or reinforced, and the screening has to have large-scale grounding at both ends. The use of EMV cable screw connections is recommended. These are not part of the scope of delivery.

Wiring suitable for EMV must be ensured.

3.3 Installing the drive control integrated in the motor

3.3.1 Power connection

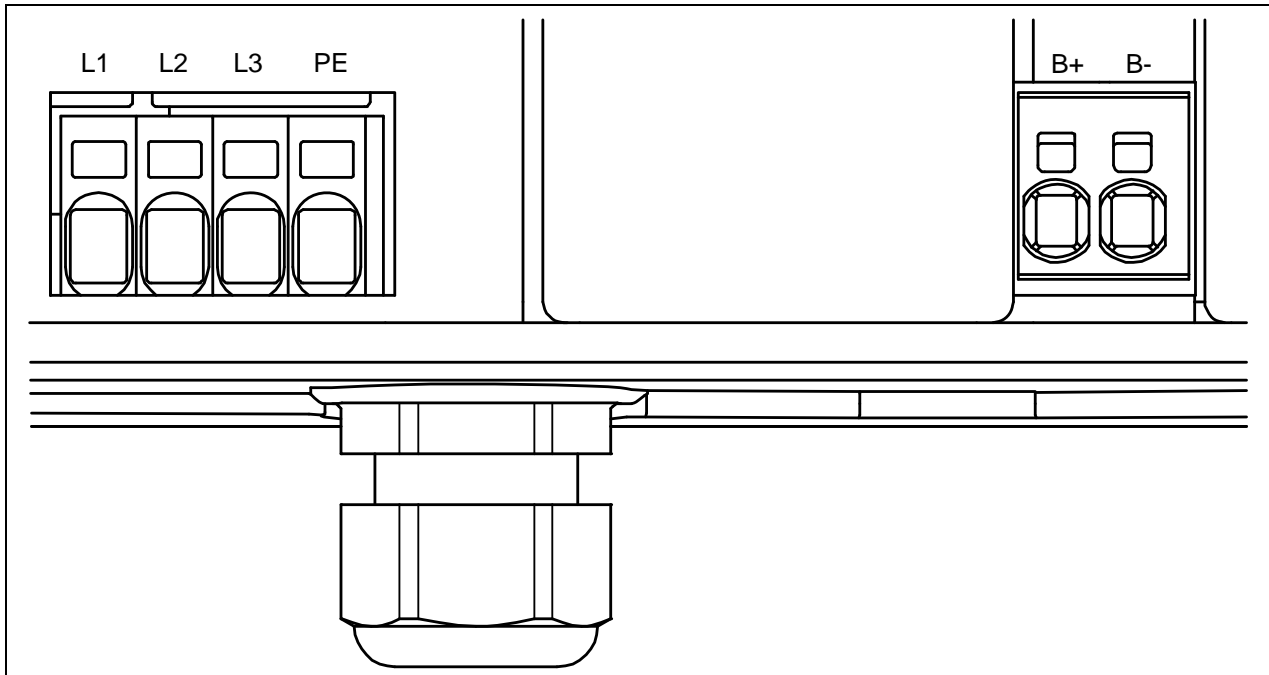


Fig. 3: Power connection

- Unscrew the four bolts from the housing cover of the drive control and remove the cover.
- Guide the power cord through the cable connection and connect the phases to contacts L1, L2, L3 and the ground cable to the PE contact of the connection terminal. The cable provides strain relief, and the PE connection line has to be connected in a leading fashion (considerably longer).



If a brake resistor is connected, screened and doubly insulated lines must be used.

Terminal no.	Designation	Configuration
1	L1	Mains phase 1
2	L2	Mains phase 2
3	L3	Mains phase 3
4	PE	Ground cable

Tab. 2: Terminal configuration X1

3.3.2 Connections for brake resistor

Terminal no.	Designation	Configuration
1	B+	Connection for brake resistor (+)
2	B-	Connection for brake resistor (-)

Tab. 3: Optional terminal configuration for brake chopper

3.3.3 Control connections

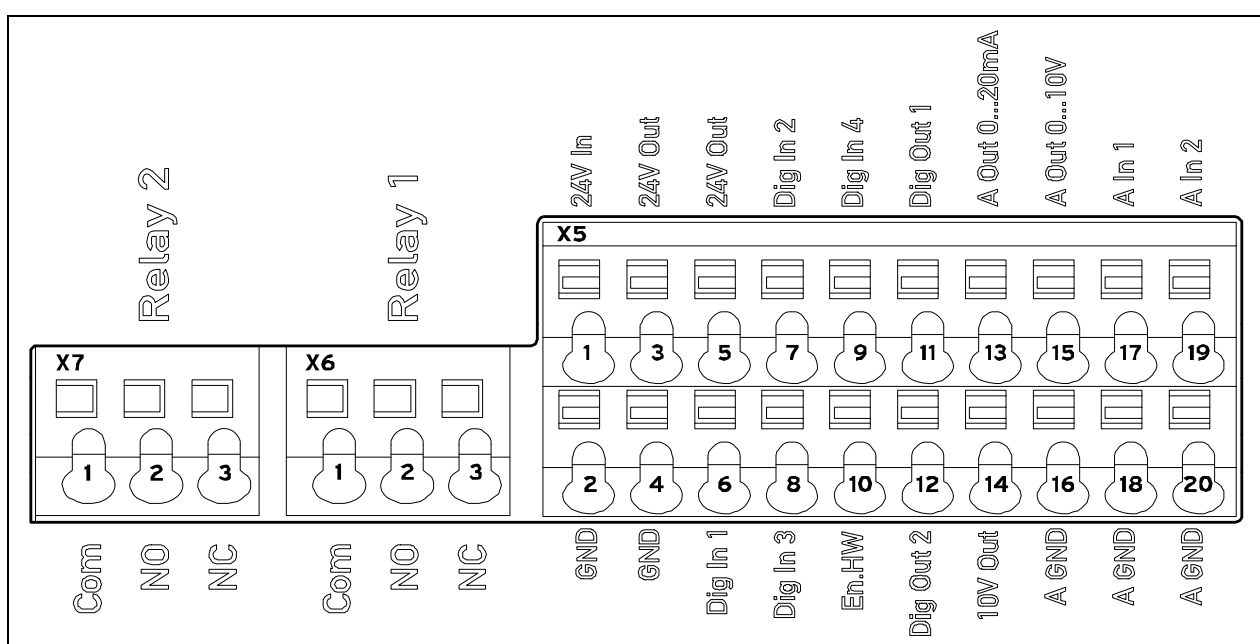


Fig. 4: Control connections

ATTENTION

Danger of external signals being coupled in.
Use only screened control lines.

- Guide the required control lines into the housing through the cable screw connections.
- Connect the control lines according to the figure and/or table. Use screened control lines.
- Place the cover on the housing of the drive control and bolt it (torque: 2.0 Nm) tight.

Terminal no.	Designation	Configuration
1	24 V In	ext. power supply
2	GND (ground)	Mass
3	24 V Out	int. power supply
4	GND (ground)	Mass
5	24 V Out	int. power supply
6	Dig. In 1	Target value release (parameter 1,131)
7	Dig. In 2	Free (not allocated)
8	Dig. In 3	Free (not allocated)
9	Dig. In 4	Error reset (parameter 1,180)
10	En-HW (release)	Hardware release
11	Dig. Out 1	Fault message (parameter 4,150)
12	Dig. Out 2	Free (not allocated)
13	A. Out 0 ... 20 mA	Actual frequency (parameter 4,100)
14	10 V Out	for ext. voltage divider
15	A. Out 0 ... 10 V	Actual frequency (parameter 4,100)
16	A GND (ground 10 V)	Mass
17	A. In 1	Analogue input 1
18	A GND (ground 10 V)	Mass
19	A. In 2	Analogue input 2
20	A GND (ground 10 V)	Mass

Tab. 4: Terminal configuration X5

Terminal no.	Designation	Configuration
1	COM	Centre contact relay 1
2	NO	Closing contact relay 1
3	NC	Opening contact relay 1

Tab. 5: Terminal configuration X6 (relay 1)



In the factory setting, relay 1 is programmed as “inverter error (NC)” (parameter 4.190).

Terminal no.	Designation	Configuration
1	COM	Centre contact relay 2
2	NO	Closing contact relay 2
3	NC	Opening contact relay 2

Tab. 6: Terminal configuration X7 (relay 2)



In the factory setting, “operation” is allocated to relay 2 (parameter 4.210).

3.3.4 Terminal connection diagram

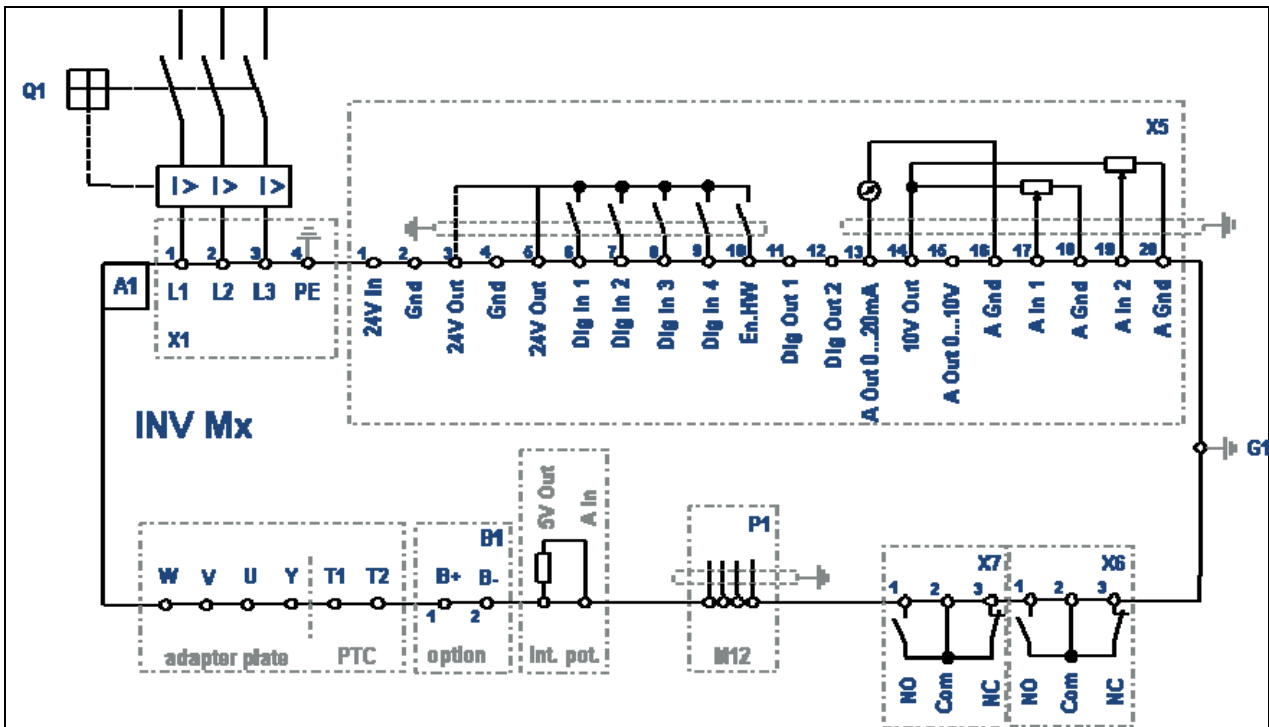


Fig 5: Connection diagram

The drive control is operational after the 400 V power supply has been switched on. Alternatively, the drive control can be started up by connecting an external 24 V power supply.

The settings required for this are described in the “System parameters” chapter. A detailed description of the functions of the drive control can be found in the parameter description.

3.4 Installing the wall-mounted drive control

3.4.1 Suitable installation location for wall mounting

- Ensure that the installation location for a FKO wall mounting meets the following conditions:
 - The drive control has to be mounted on an even and fixed surface.
 - The drive control may only be mounted on non-flammable bases.
 - There must be a minimum of 20 cm clearance all around the drive control to ensure free convection.

The following figure shows the assembly dimensions and the free spaces required for installing the drive control.

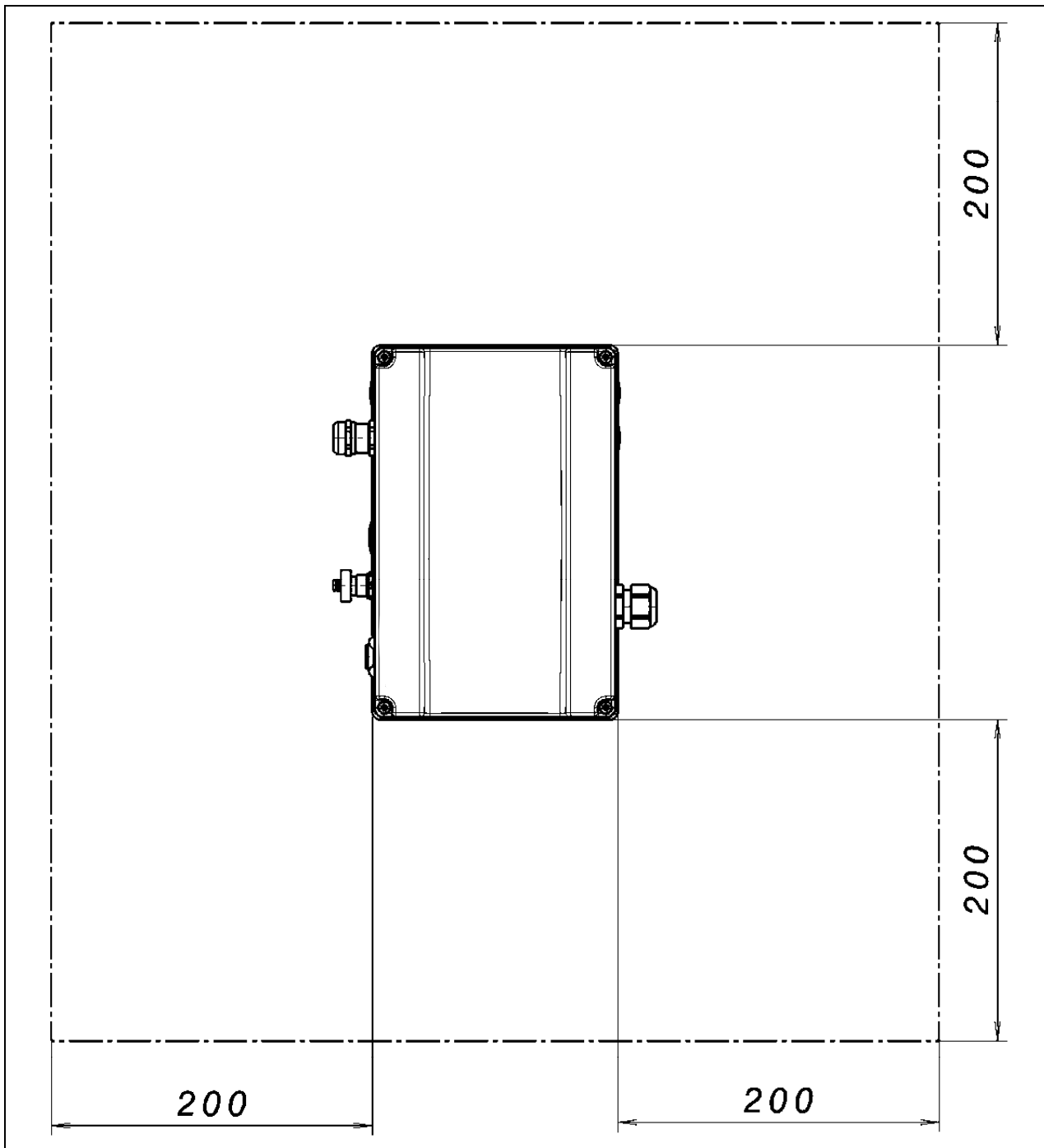


Fig. 6: Minimum clearances

For the "wall mounting" version, the line length between the motor and FKO may not exceed 5 m. A screened cable with the required cross-section must be used. There must be a PE connection (underneath the wall mounting's terminal board)!

3.4.2 Mechanical installation



Fig. 7: Wiring on the motor connection box

- Open the motor connection box.

ATTENTION

Depending on the required motor voltage, the star or triangle connection must be made in the motor connection box!

-
- Use a suitable EMC screw connection to attach the screened cable to the motor connection box and ensure that the screening contact is in order (large surface).
 - Connecting a PE connection in the motor connection box is mandatory.
 - Close the motor connection box.

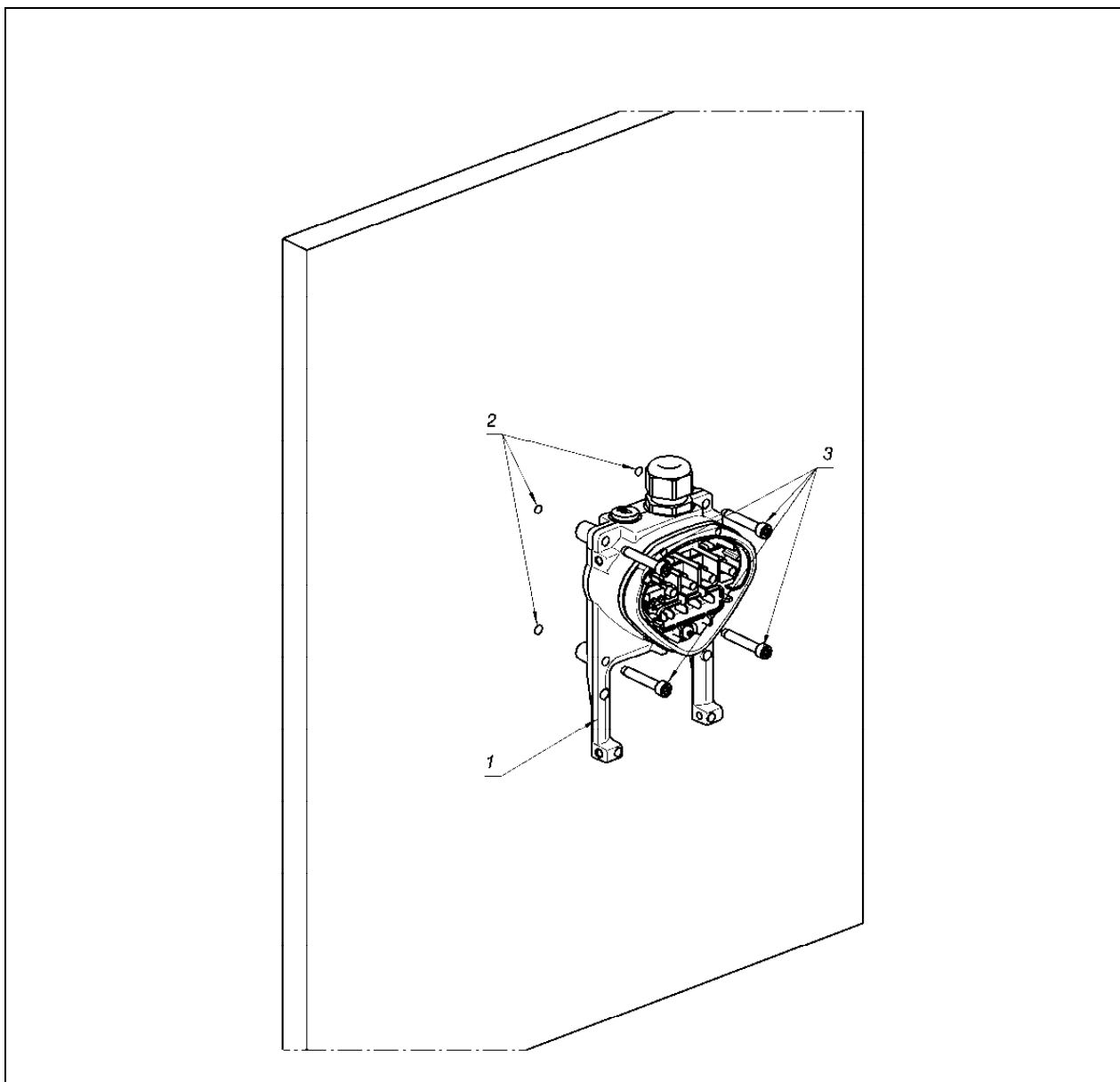


Fig. 8: Fastening the adapter plate to a wall

⚠ DANGER!

The drive control may not be installed without an adapter plate!

- Find a position that meets the required ambient conditions as described in the "Installation requirements" section.
- To achieve optimum self-convection of the drive control, ensure that the (EMC) screw connection is facing upwards when installing.
- Without any additional ventilation for the FKO (optional for BG C), it is only permitted to be installed vertically.

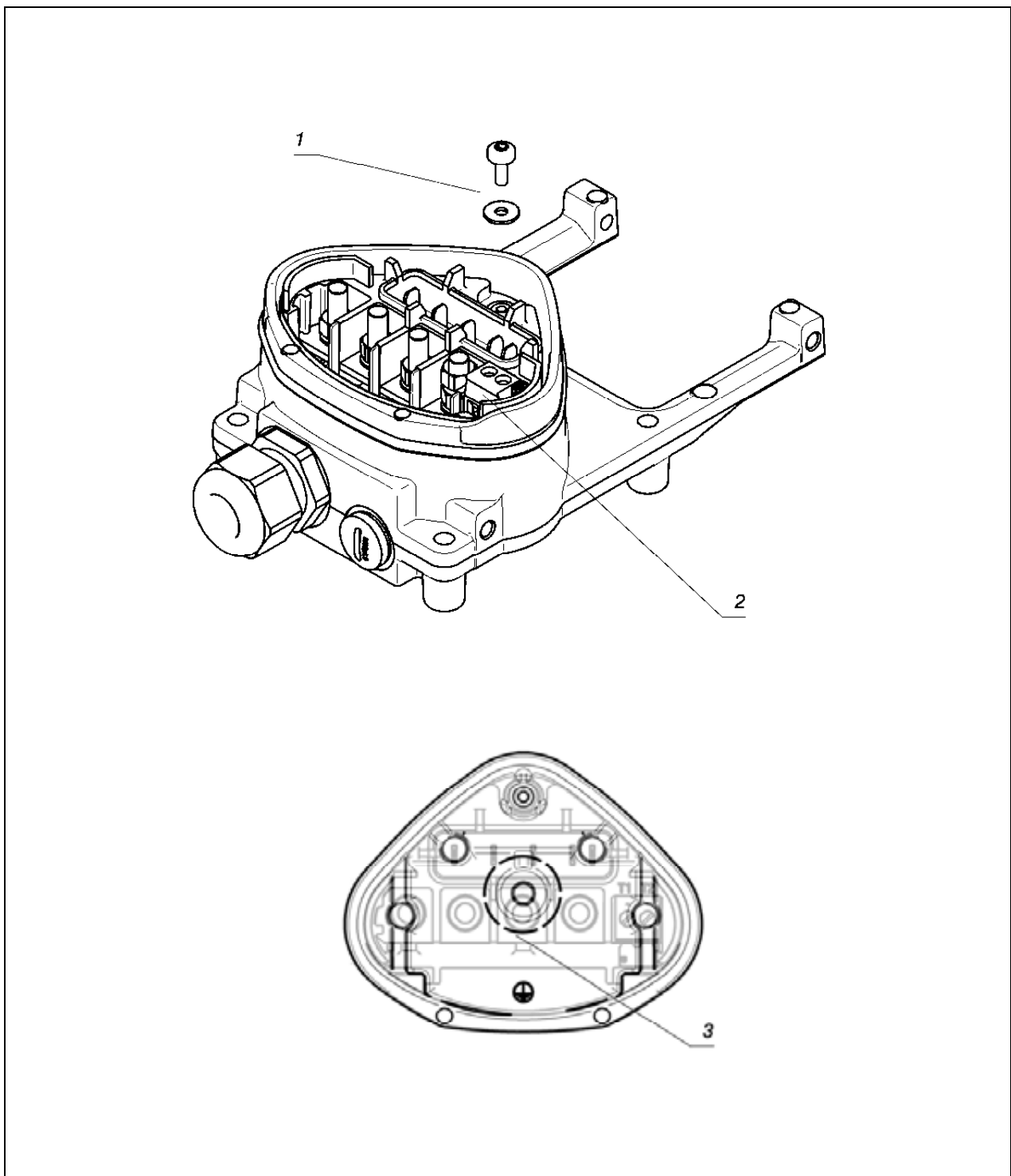


Fig. 9: Wiring

1. Release the screw (1) to remove the contact plate from the adapter plate. The (M6) PE connection (3) is underneath this contact plate.
2. Guide the connection cable from the motor to the adapter plate through the integrated EMC screw connection.
3. This connection has to be made to the same ground potential of the motor. The cross-section of the equipotential bonding line must correspond to at least the cross-section of the power cord.
4. Reattach the contact plate using the screw (1).

5. Wire the motor cable to contacts U, V, W (and star point in some cases) in the connection terminal, as described in the "Basic connection versions" chapter. Use cable shoes (M5) to do this.
6. Before connecting an available motor PTC to the T1 and T2 terminals, remove the preassembled short-circuit bridge (2).
The motor PTC is potential-free after connecting the FKO, therefore it must be connected using a separate motor lead.
Replace the dummy screw with a suitable standard screw connection and guide both ends to T1 and T2.

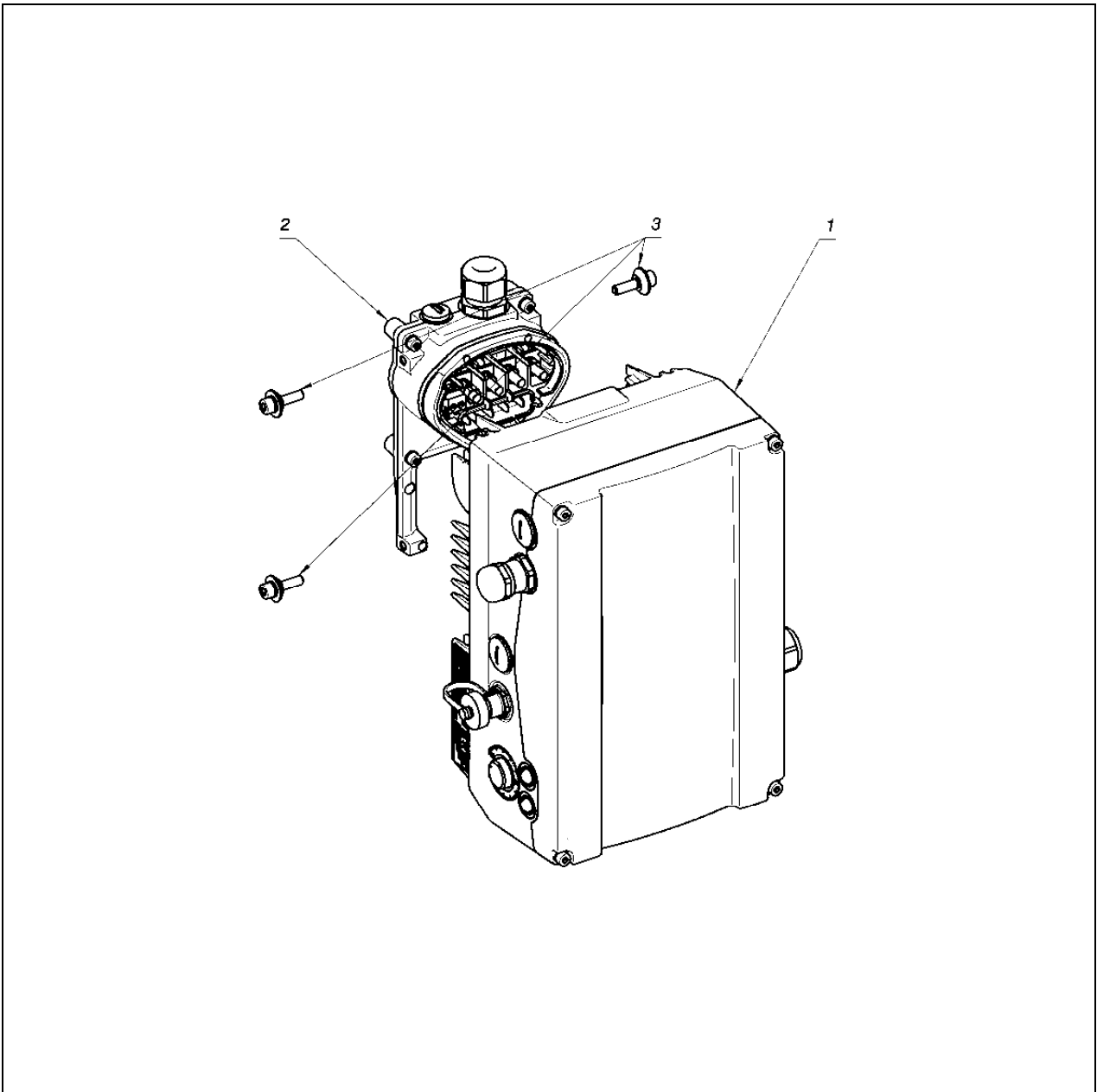


Fig. 10: Attaching the drive control

7. Position the drive control (1) on the adapter plate (2) so that the collar of the adapter dips into the opening on the floor of the cooling element.
8. Fasten the control unit to the adapter plate with the help of the screws (3) provided (torque: 4.0 Nm).

3.4.3 Power connection

The power connections should be designed as described in section 3.3.2 ff. "Installing the drive control integrated in the motor".

3.4.4 Brake chopper

The brake connections should be designed as described in section 3.3.3 ff. "Installing the drive control integrated in the motor".

3.4.5 Control connections

The control connections should be designed as described in section 3.3.4 ff. "Installing the drive control integrated in the motor".

4 Commissioning

4.1 Safety instructions during commissioning

ATTENTION!

Danger of damage

If the notes are not observed, the drive control could be damaged and destroyed during subsequent start-up.

- Commissioning may only be performed by qualified staff. Safety precautions and warnings must always be observed.
-

WARNING

Danger of injury

Non-observance of warnings can result in serious injury or damage.

- Make certain that the power supply provides the correct voltage and is designed for the required current.
 - Use suitable circuit breakers with the prescribed nominal current between the mains and the drive control.
 - Use suitable fuses with appropriate current values between the mains and the drive control (see technical data).
 - The drive control must be grounded with the motor according to regulations. Non-compliance can result in serious injury.
-

4.2 Communication

The drive control can be commissioned in the following ways:

- Using the PC software



Fig. 11: PC software – start screen

- Using MMI



Fig. 12: Manual control unit MMI

4.3 Block diagram

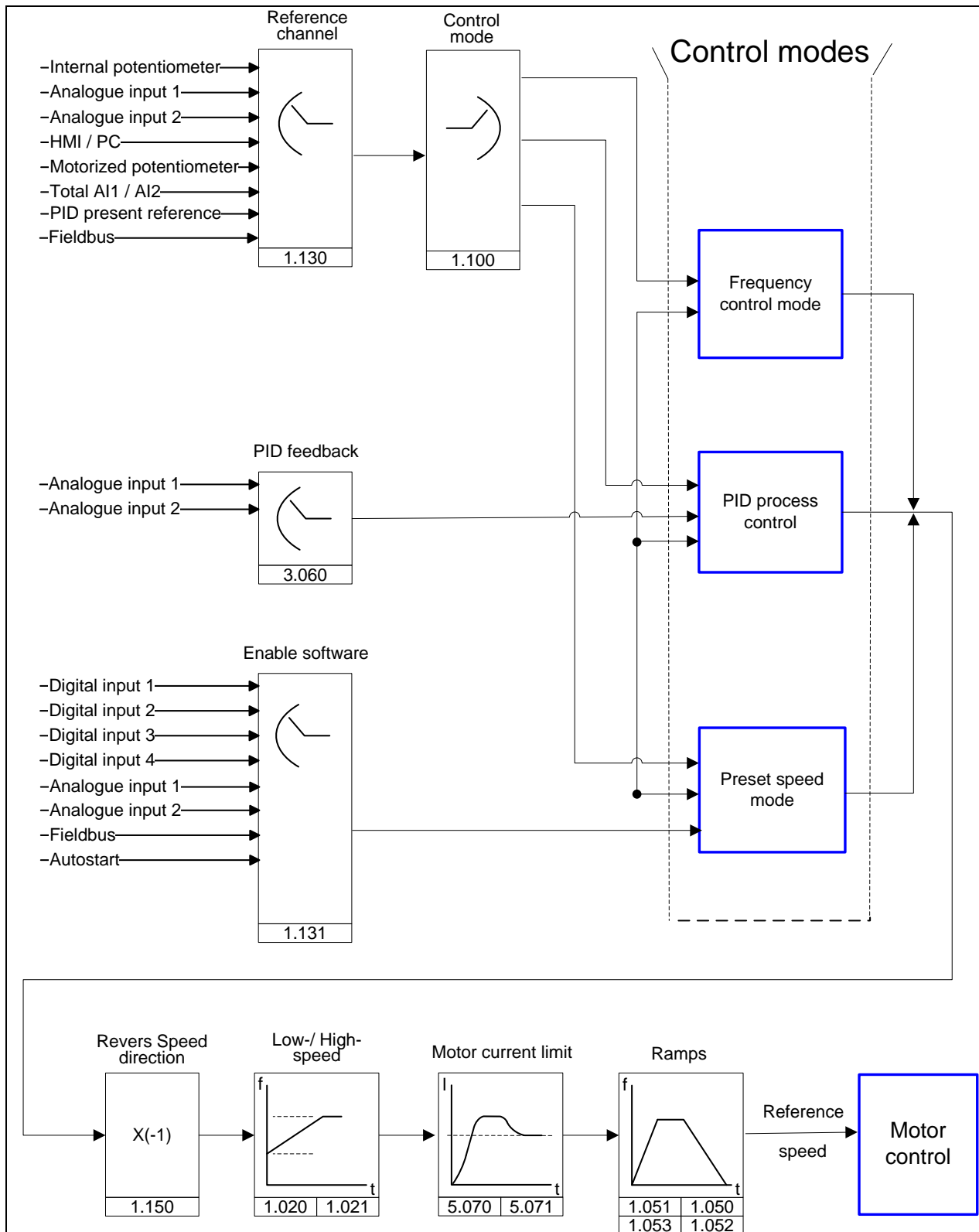


Fig. 13: General structure of target value generation

4.4 Start-up steps



Parameterising is possible prior to installation. Parameterisation can be performed before the drive control is installed in the engine. The drive control has a 24 V low-voltage input for this purpose, which can supply the electric system without requiring mains power.

The start-up can be performed using a PC communication cable USB at plug M12 with integrated interface converter RS485/RS232 (article no. 6UMZU0AA-K07324) or using the FKO manual control unit MMI with connection cable RJ11 at plug M12 (article no. 6UMZU0AA-K07323).

Start-up using the PC:

- Install the FKOPc software (you can obtain programming software from BRINKMANN free of charge).
- Connect the PC to the M12 plug M1 with the optional connection cable.
- Load or determine the motor data record (parameters 33,030 to 33,050); it may be necessary to optimise the speed control (parameters 34,100 to 34,101).
- Make the application settings (ramps, inputs, outputs, target values etc.).
- Optional: Define an access level (1 – MMI, 2 – user, 3 – manufacturer).

Please see also the quickstart guide in chapter 9.5.

In order to ensure an ideal operating structure for the PC software, the parameters are classified into different access levels. There are the following levels:

1. Manual control unit: – the drive control is programmed using the manual control unit
2. User: – the basic parameters can be programmed into the drive control using the PC software
3. Manufacturer: – an extended selection of parameters can be programmed into the drive control using the PC software

5 Parameters

This chapter contains the following:

- An introduction to the parameters
- An overview of the most important start-up and operation parameters

5.1 Safety instructions for dealing with parameters

WARNING

Danger of injury due to restarting motors.

Non-observance can result in serious injury or damage.

- Certain parameter settings and the changing of parameter settings during operation can result in the FKO drive control restarting automatically after the supply voltage has failed, or in undesirable changes in the operating behaviour.
-



If parameters are changed while the device is in operation, it may take a few seconds until the effect becomes noticeable.

5.2 General information on parameters

5.2.1 Explanation of operating modes

The operating mode is the instance in which the reference is generated. In case of the frequency setting mode, this is a simple conversion of the raw input reference into a rotation speed reference; in the case of PID process control, the reference and feedback are compared and then a control to a specific process variable is performed.

Frequency setting mode:

The references from the “reference channel” (1,130) are rescaled into frequency reference. 0% is the “low speed” (1,020), 100% is the “high speed” (1,021).

The plus or minus sign of the reference is the decisive factor in rescaling.

PID process control:

The reference for the PID process control is read in percentage steps as in the “frequency setting mode”. 100% corresponds to the working range of the connected sensor, which is read in from the active channel (selected by the “PID feedback”).

Depending on the control difference, a rotation speed value is output to the control output with the help of the amplification factors for the proportional gain (3,050), integral gain (3,051) and derivative gain (3,052). In order to prevent the integral share from increasing limitlessly in case of uncontrollable control differences, this value is limited to a specific set value (corresponding to the “maximum frequency” (1,021)).

PID inverse:

The PID feedback can be inverted using the 3.061 parameter. The feedback is imported inversely, i.e. 0 V...10 V correspond internally to 100%...0%. Please note that the reference must also be defined inversely.

An example:

A sensor with an analogue output signal of (0 V...10 V) is to operate as the source of the feedback channel (at A1x). At an output variable of 7 V (70%), this is to be regulated inversely. The internal feedback then corresponds to $100\% - 70\% = 30\%$. Accordingly, the specified reference is 30%.

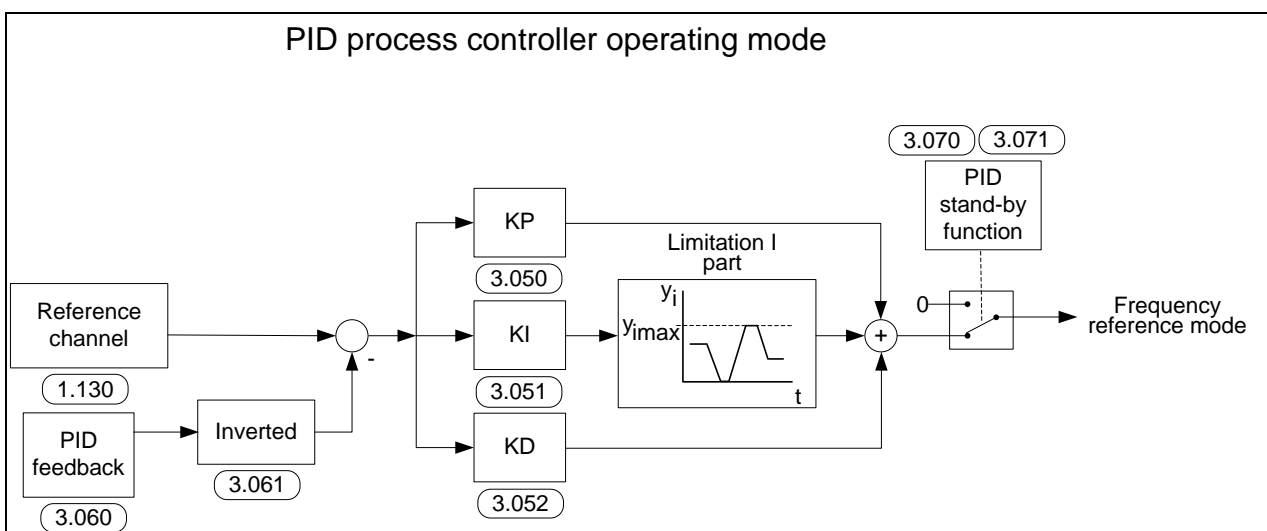


Fig. 14: PID process control

Stand-by function in PID process control:

This function can provide energy savings in applications such as booster stations where PID process control is used to control to a specific process value and the pump has to run on a “minimum frequency” (1,020). As the inverter can reduce the rotation speed of the pump in normal operation when the process variable is reducing, but is never able to fall below the “minimum frequency” (1,020), this provides the opportunity of stopping the engine if it is running during a waiting time, the “PID stand-by time” (3,070) with the “minimum frequency” (1,020).

Once the reference diverges from the set % value, the “PID stand-by hysteresis” (3,071), the control (the motor) is started again.

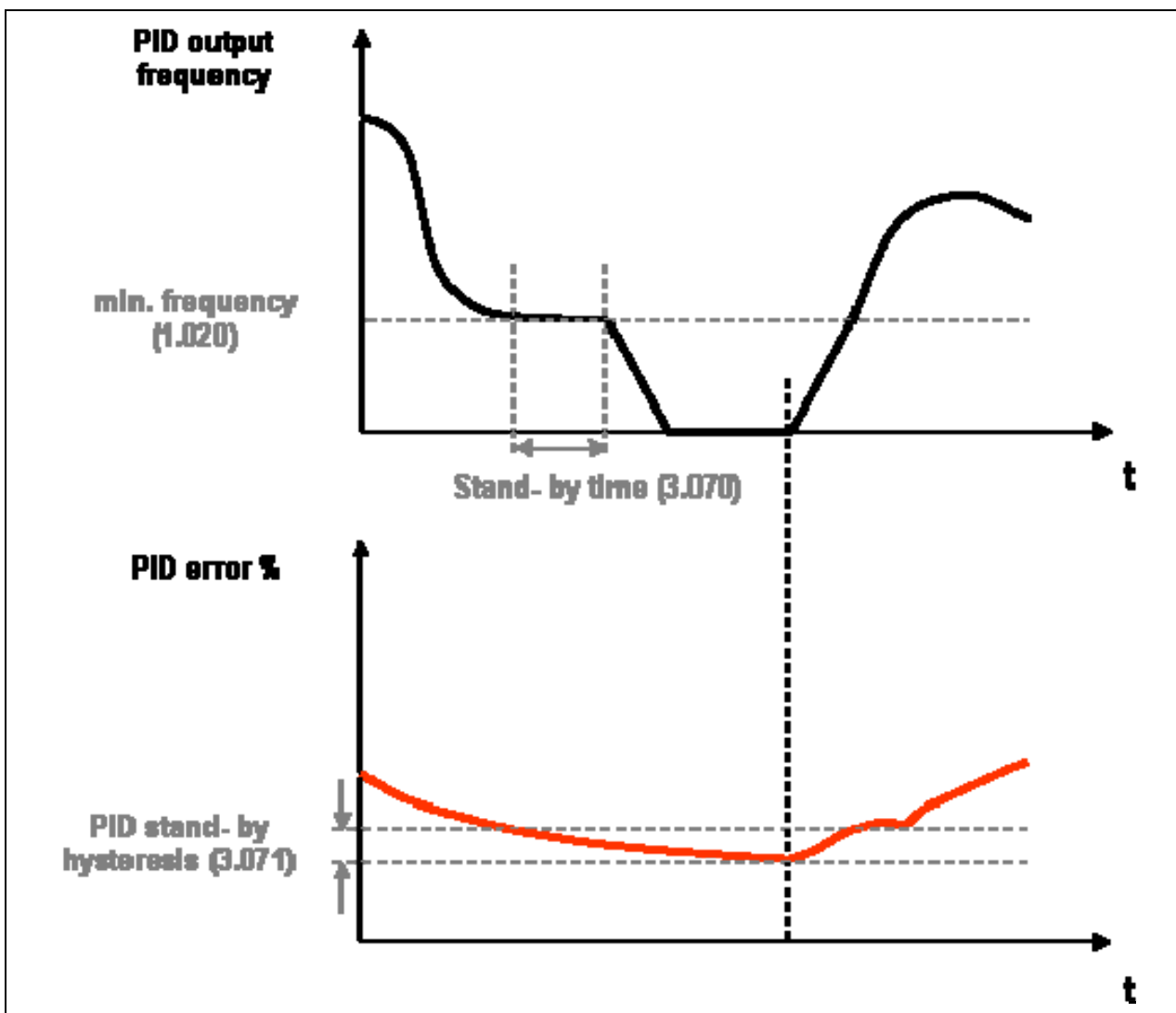


Fig. 15: Stand-by function in PID process control

Preset speed:

In this operating mode, preset speed references are transferred to the motor control. There are 7 preset speeds (2,051 to 2,057) that are BCD coded and attached fixedly to digital inputs 1 to 3. These seven preset speeds can be released in three groups via the “preset speed mode” (2,050) parameter:

0 = preset speed 1, 1 = preset speed 1 to 3, 2 = preset speed 1 to 7.

DI 3	DI 2	DI 1	Selection	Parameters	Presetting
0	0	0	Min. frequency	1.020	0 Hz
0	0	1	preset speed 1	2.051	10 Hz
0	1	0	preset speed 2	2.052	20 Hz
0	1	1	preset speed 3	2.053	30 Hz
1	0	0	preset speed 4	2.054	35 Hz
1	0	1	preset speed 5	2.055	40 Hz
1	1	0	preset speed 6	2.056	45 Hz
1	1	1	preset speed 7	2.057	50 Hz

Tab. 7: Logic table of fixed frequencies

5.2.2 Structure of the parameter tables

1	2	3	4	5	6
1.100	Control mode			Unit: integer	
Relationship to parameter: 1,130 1,131 2,051 to 2,057 3,050 to 3,071	Parameter manual: p. xy	Transfer status: 2	min: 0	own value (to be entered!)	
			max.: 4		
			Def.: 0		
	Selecting the operating mode After SW release (1,131) and hardware release, the drive control runs as follows: 0 = frequency control mode, with the target value of the selected reference channel (1,130) 1 = PID process control, with the target value of the PID process control (3,050–3,071) 2 = preset speed mode, with the frequencies specified by parameters 2,051–2,057				
9			8		7

Fig 16: Example for a parameter table

Key	
1 Parameter numbers	6 Unit
2 Description in the parameter manual on page ...	7 Field for entering an own value
3 Parameter name	8 Explanation of the parameter
4 Transfer status 0 = switch drive control off and on for transfer 1 = set hardware release again 2 = during operation	9 There are further parameters that relate to these parameters
5 Value range (from – to – factory setting)	

5.3 Application parameters

5.3.1 Basic parameters

1.020	Low speed		Unit: Hz	
Relationship to parameter: 1,150 3,070	Parameter manual: p. xy	Transfer status: 2	min: 0	own value (to be entered!)
			max.: 400	
			def.: 0	
	<p>The low speed is the frequency provided by the drive control as soon as it released and no additional target value is pending. This frequency is not reached if a) acceleration is carried out while the drive is not moving. b) the frequency inverter is blocked. The frequency is then reduced to 0 Hz before it is blocked. c) the frequency inverter reverses (1,150). The revolving field is reversed at 0 Hz. d) the stand-by function (3,070) is active.</p>			

1.021	High speed		Unit: Hz	
Relationship to parameter: 1,050 1,051	Parameter manual: p. xy	Transfer status: 2	min: 5	own value (to be entered!)
			max.: 400	
			def.: 50	
	<p>The high speed is the frequency produced by the inverter in dependence on the reference.</p>			

1.050	Deceleration 1:		Unit: s	
Relationship to parameter: 1,021 1,054	Parameter manual: p. xy	Transfer status: 2	min: 0,1	own value (to be entered!)
			max.: 1000	
			def.: 5	
	<p>Deceleration 1 is the time that the inverter takes to brake to 0 Hz from the high speed (1,021). If the set deceleration time cannot be reached, the fastest possible deceleration time is implemented.</p>			

1.051	Acceleration 1		Unit: s	
Relationship to parameter: 1,021 1,054	Parameter manual: p. xy	Transfer status: 2	min: 0,1	own value (to be entered!)
			max.: 1000	
			def.: 5	
	Acceleration 1 is the time that the inverter takes to speed up from 0 Hz to the high speed. The acceleration time can be increased through certain circumstances, e.g. if the drive control is overloaded.			


1.052	Deceleration 2		Unit: s	
Relationship to parameter: 1,021 1,054	Parameter manual: p. xy	Transfer status: 2	min: 0,1	own value (to be entered!)
			max.: 1,000	
			def.: 10	
	Deceleration 2 is the time that the inverter takes to brake to 0 Hz from the high speed (1,021). If the set deceleration time cannot be reached, the fastest possible deceleration time is implemented.			

1.053	Acceleration 2		Unit: s	
Relationship to parameter: 1,021 1,054	Parameter manual: p. xy	Transfer status: 2	min: 0,1	own value (to be entered!)
			max.: 1,000	
			def.: 10	
	Acceleration 2 is the time that the inverter takes to speed up from 0 Hz to the high speed. The acceleration time can be increased through certain circumstances, e.g. if the drive control is overloaded.			

1.054	Ramp section		Unit: integer	
Relationship to parameter: 1,050 to 1,053	Parameter manual:	Transfer status:	min: 0	own value (to be entered!)
	p. xy	2	max.: 6	
			def.: 0	
Selection of used ramp pair 0 = deceleration 1 (1.050) / acceleration 1 (1.051) 1 = deceleration 2 (1.052) / acceleration 2 (1.053) 2 = digital input 1 (false = ramp pair 1 / True = ramp pair 2) 3 = digital input 2 (false = ramp pair 1 / true = ramp pair 2) 4 = digital input 3 (false = ramp pair 1 / true = ramp pair 2) 5 = digital input 4 (false = ramp pair 1 / true = ramp pair 2) 6 = FKO Soft-PLC				

1.100	Control mode		Unit: integer	
Relationship to parameter: 1,130 1,131 2,051 to 2,057 3,050 to 3,071	Parameter manual:	Transfer status:	min: 0	own value (to be entered!)
	p. xy	2	max.: 4	
			def.: 0	
Selecting the operating mode. After SW release (1,131) and hardware release, the drive control runs as follows: 0 = frequency control mode, with the target value of the selected reference channel (1,130) 1 = PID process control, with the target value of the PID process control (3,050–3,071) 2 = preset speed mode, with the frequencies specified by parameters 2,051–2,057 3 = selection from FKO Soft-PLC				

1.130	Reference channel		Unit: integer	
Relationship to parameter: 3,062 to 3,069	Parameter manual: p. xy	Transfer status: 2	min: 0	own value (to be entered!)
			max.: 10	
			def.: 0	
<p>Determines the source from where the reference is to be read.</p> <ul style="list-style-type: none"> 0 = internal potentiometer 1 = analogue input 1 2 = analogue input 2 3 = MMI/PC 6 = motorizes potentiometer 7 = total analogue inputs 1 and 2 8 = PID present reference mode (3,062) 9 = fieldbus 10 = reference from FKO Soft-PLC 				

1.131	Enable software		Unit: integer	
Relationship to parameter: 1,132 1,150 2,050 4,030 4,050	Parameter manual: p. xy	Transfer status: 2	min: 0	own value (to be entered!)
			max.: 11	
			def.: 0	
<p> WARNING</p> <p>The motor may start immediately, depending on the change made.</p> <p>Selection of the source for the control release.</p> <ul style="list-style-type: none"> 0 = digital input 1 1 = digital input 2 2 = digital input 3 3 = digital input 4 4 = analogue input 1 (has to be selected in parameter 4.030) 5 = analogue input 2 (has to be selected in parameter 4.050) 6 = fieldbus 8 = digital input 1 right / digital input 2 left 1,150 must be set to "0" 9 = autostart: 10 = FKO Soft-PLC 11 = preset frequency input (all inputs which are selected in parameter 2,050) <p>The motor may start immediately if hardware is enabled (En.Hw. Fig. 8) and a reference have been provided. This cannot be prevented even with parameter 1,132.</p>				

1.132	Start protect		Unit: integer	
Relationship to parameter: 1,131	Parameter manual:	Transfer status:	min: 0	own value (to be entered!)
	p. xy	2	max.: 1	
			def.: 1	
<p>Selection of the behaviour in response to enable software (parameter 1,131). No effect if autostart was selected.</p> <p>0 = immediate start when high signal is received at start input of control release 1 = start only in case of rising shoulder at start input of control release 2 = digital input 1 (function active at high signal) 3 = digital input 2 (function active at high signal) 4 = digital input 3 (function active at high signal) 5 = digital input 4 (function active at high signal)</p>				

1.150	Rotational direction		Unit: integer	
Relationship to parameter: 1,131	Parameter manual:	Transfer status:	min: 0	own value (to be entered!)
	p. xy	2	max.: 7	
			def.: 0	
<p>Selecting the rotational direction specification</p> <p>0 = dependent on target value (depending on the plus or minus sign of the target value: positive: forward; negative: backwards) 1 = forwards only (rotational direction cannot be changed) 2 = backwards only (rotational direction cannot be changed) 3 = digital input 1 (0 V = forwards, 24 V = backwards) 4 = digital input 2 (0 V = forwards, 24 V = backwards) 5 = digital input 3 (0 V = forwards, 24 V = backwards) 6 = digital input 4 (0 V = forwards, 24 V = backwards) 7 = reference from FKO Soft-PLC</p>				

1.180	Reset		Unit: integer	
Relationship to parameter: 1,181 1,182	Parameter manual: p. xy	Transfer status: 2	min: 0	own value (to be entered!)
			max.: 4	
			def.: 4	
	<p>Selection of the source for error confirmation.</p> <p>Errors can only be confirmed once the error has been removed. Some errors can only be confirmed by switching the control off and then on again, see list of errors.</p> <p>Auto-confirmation via parameter 1,181.</p> <p>0 = no manual confirmation possible 1 = rising shoulder at digital input 1 2 = rising shoulder at digital input 2 3 = rising shoulder at digital input 3 4 = rising shoulder at digital input 4</p>			

1.181	Automatic reset		Unit: s	
Relationship to parameter: 1,180 1,182	Parameter manual: p. xy	Transfer status: 2	min: 0	own value (to be entered!)
			max.: 1,000,000	
			def.: 0	
	<p>Next to the reset function (1,180), an automatic reset can be selected.</p> <p>0 = no automatic confirmation > 0 = time for automatic reset of error in seconds</p>			

1.182	Quantity of automatic reset		Unit:	
Relationship to parameter: 1,180 1,181	Parameter manual: p. xy	Transfer status: 2	min: 0	own value (to be entered!)
			max.: 500	
			def.: 5	
	<p>Next to the automatic reset (1,181), it is possible to limit the number of maximum automatic resets here.</p> <p>0 = no restriction of automatic confirmations > 0 = number of maximum permitted automatic confirmations</p>			

5.3.2 Preset speed mode

This mode has to be selected in parameter 1,100, see also the section on selecting the operating mode

2.050	Preset speed mode		Unit: integer	
Relationship to parameter: 1,100 2,051 to 2,057	Parameter manual:	Transfer status:	min: 0	own value (to be entered!)
	p. xy	2	max.: 2	
			def.: 2	
Selection of the digital inputs used for the preset speeds 0 = Digital In 1 (preset speed 1) (2,051) 1 = Digital In 1, 2 (preset speeds 1 - 3) (2,051 to 2,053) 2 = Digital In 1, 2, 3 (preset speeds 1 - 7) (2,051 to 2,057)				

2,051 to 2,057	Preset speed		Unit: Hz	
Relationship to parameter: 1,020 1,021 1,100 1,150 2,050	Parameter manual:	Transfer status:	min: -400	own value (to be entered!)
	p. xy	2	max.: +400	
			def.: 0	
The frequencies that are to be put out at the digital inputs 1 - 3 specified in parameter 2,050 in dependence on the switching patterns. See chapter 5.2.1 on preset speeds.				

5.3.3 Motorized potentiometer

This mode must be selected in the parameter 1.130. This function can be used as a source of target values for the frequency setting mode as well as for the PID process controller.

2.150	MOP digital Input		unit: integer	
Relationship to Parameter: 1,130 4,030 4,050	Parameter manual:	Transfer status:	min: 0	Own value (to be entered!)
	p. xy	2	max.: 7	
			def.: 3	
Selection of the source for increasing and reducing the target value 0 = Digital In 1 + / Digital In 2 - 1 = Digital In 1 + / Digital In 3 - 2 = Digital In 1 + / Digital In 4 - 3 = Digital In 2 + / Digital In 3 - 4 = Digital In 2 + / Digital In 4 - 5 = Digital In 3 + / Digital In 4 - 6 = Analogue In 1 + / Analogue In 2 - (must be selected in parameter 4,030 / 4,050) 7 = reference from customer PLC				

2.151	MOP step range		Unit: %	
Relationship to parameter: 1.020 1.021	Parameter manual:	Transfer status:	min: 0	Own value (to be entered!)
	p. xy	2	max.: 100	
			def.: 1	
Increments at which the target value changes per keystroke.				

2.152	MOP step time		Unit: s	
Relationship to parameter:	Parameter manual:	Transfer status:	min: 0.02	Own value (to be entered!)
	p. xy	2	max.: 1000	
			def.: 0.04	
Indicates the time in which the target value totals up for permanent signal.				

2.153	MOP response time		Unit: s	
Relationship to parameter:	Parameter manual: p. xy	Transfer status: 2	min: 0.02	Own value (to be entered!)
			max.: 1000	
def.: 0.3				
Indicates the time for which the signal is considered permanent.				

2.154	MOP reference memory		Unit: integer	
Relationship to parameter:	Parameter manual: p. xy	Transfer status: 2	min: 0	Own value (to be entered!)
			max.: 1	
def.: 0				
Defines whether the target value of the motor potentiometer is retained even after power outage. 0 = deactivated 1 = activated				

5.3.4 PID process controller

This mode has to be selected in parameter 1,100, the target value source has to be selected in parameter 1,130, see also chapter 5.2.1, "Explanation of operating modes – preset speed".

3.050	PID proportional gain		Unit:	
Relationship to parameter: 1,100 1,130	Parameter manual: p. xy	Transfer status: 2	min: 0	own value (to be entered!)
			max.: 100	
def.: 1				
proportional share of PID controller				

3.051	PID integral gain		Unit: 1/s	
Relationship to parameter: 1,100 1,130	Parameter manual: p. xy	Transfer status: 2	min: 0	own value (to be entered!)
			max.: 100	
def.: 1				
integral share of PID controller				

3.052	PID derivative gain		Unit: s	
Relationship to parameter: 1,100 1,130	Parameter manual: p. xy	Transfer status: 2	min: 0 max.: 100 def.: 0	own value (to be entered!)
differential share of PID controller				

3.060	PID feedback		Unit: integer	
Relationship to parameter: 1,100 1,130 3,061	Parameter manual: p. xy	Transfer status: 2	min: 0 max.: 3 def.: 0	own value (to be entered!)
Selection of the input source from which the feedback for the PID process controller is imported: 0 = analogue input1 1 = analogue input2				

3.061	PID inverted		Unit: integer	
Relationship to parameter: 3,060	Parameter manual: p. xy	Transfer status: 2	min: 0 max.: 1 def.: 0	own value (to be entered!)
The source of the feedback (parameter 3,060) is inverted 0 = disable 1 = enable				

3.062 to 3.068	PID present reference		Unit: %	
Relationship to parameter: 1,130 3,069	Parameter manual: p. xy	Transfer status: 2	min: 0 max.: 100 def.: 0	own value (to be entered!)
The PID present reference depending on the switching patterns are to be issued at the digital inputs 1 – 3 specified in parameter 3,069 (has to be selected in parameter 1,130).				

3.069	PID present mode		Unit: integer	
Relationship to parameter: 1,100 3,062 to 3,068	Parameter manual:	Transfer status:	min: 0	own value (to be entered!)
	p. xy	2	max.: 2	
			def.: 0	
Selection of the digital inputs used for fixed frequencies 0 = Digital In 1 (PID present reference 1) (3,062) 1 = Digital In 1, 2 (PID present references 1 – 3) (3,062 to 3,064) 2 = Digital In 1, 2, 3 (PID present references 1 – 7) (3,062 to 3,068)				

3.070	PID stand-by time		Unit: s	
Relationship to parameter: 1,020	Parameter manual:	Transfer status:	min: 0	own value (to be entered!)
	S. xy	2	max.: 10000	
			def.: 0	
If the drive control operates the set time with the low speed (parameter 1,020), the motor is stopped (0 Hz), see also Chapter 5.2.1, "PID process control" 0 = disable > 0 = waiting time until stand-by function is enabled				

3.071	PID stand-by hysteresis		Unit: %	
Relationship to parameter: 3,060	Parameter manual:	Transfer status:	min: 0	own value (to be entered!)
	p. xy	2	max.: 50	
			def.: 0	
Condition for waking up the PID controller from stand-by. Once the control difference exceeds the set value in %, the control begins again, see also "Control mode (parameter 1,100) – PID controller".				

5.3.5 Analogue inputs

For analogue inputs 1 and 2 (Alx display AI1/AI2)

4.020/4.050	Alx reference type		Unit: integer	
Relationship to parameter:	Parameter manual:	Transfer status:	min: 0	own value (to be entered!)
	p. xy	2	max.: 1	
			def.: 1	
Function of analogue inputs 1/2: 1 = voltage input 2 = current input				

4.021/4.051	Alx minimum input		Unit: %	
Relationship to parameter:	Parameter manual:	Transfer status:	min: 0	own value (to be entered!)
	p. xy	2	max.: 100	
			def.: 0	
Specifies the minimum value of the analogue inputs as a percentage of the final area value. Example: 0...10 V or 0...20 mA = 0%...100% 2...10 V or 4...20 mA = 20%...100%				

4.022/4.052	Alx maximum input		Unit: %	
Relationship to parameter:	Parameter manual:	Transfer status:	min: 0	own value (to be entered!)
	p. xy	2	max.: 100	
			def.: 100	
Specifies the maximum value of the analogue inputs as a percentage of the final area value. Example: 0...10 V or 0...20 mA = 0%...100% 2...10 V or 4...20 mA = 20%...100%				

4.023/4.053	Alx dead time		Unit: %	
Relationship to parameter:	Parameter manual:	Transfer status:	min: 0	own value (to be entered!)
	p. xy	2	max.: 100	
			def.: 0	
Dead time in percentage of the final area value of the analogue inputs.				

Parameters

4.024/4.054	Alx filter time		Unit: s	
Relationship to parameter:	Parameter manual: p. xy	Transfer status: 2	min: 0.02	own value (to be entered!)
			max.: 1.00	
			def.: 0	
Filter time of analogue inputs in seconds.				

4.030/4.060	Alx function		Unit: integer	
Relationship to parameter:	Parameter manual: p. xy	Transfer status: 2	min: 0	own value (to be entered!)
			max.: 1	
			def.: 0	
Function of analogue inputs 1/2 0 = analogue input 1 = digital input				

4.033/4.063	Alx physical unit		Unit:	
Relationship to parameter: 4,034/4,064 4,035/4,065	Parameter manual: p. xy	Transfer status: 2	min: 0	own value (to be entered!)
			max.: 10	
			def.: 0	
Selection of different physical values to be displayed. 0 = % 1 = bar 2 = mbar 3 = psi 4 = Pa 5 = m ³ /h 6 = l/min 7 = °C 8 = °F 9 = m 10 = mm				

4.034/4.064	Alx physical minimum		Unit:	
Relationship to parameter: 4,033/4,063 4,035/4,065	Parameter manual: p. xy	Transfer status: 2	min: -10,000 max.: +10,000 def.: 0	own value (to be entered!)
Selection of the lower limit of a physical value to be displayed.				

4.035/4.065	Alx physical maximum		Unit:	
Relationship to parameter: 4,033/4,063 4,034/4,064	Parameter manual: p. xy	Transfer status: 2	min: -10,000 max.: +10,000 def.: 100	own value (to be entered!)
Selection of the upper limit of a physical value to be displayed.				

5.3.6 Digital inputs

4.110 to 4.113	Dlx inverted		Unit: integer	
Relationship to parameter:	Parameter manual: p. xy	Transfer status: 2	min: 0 max.: 1 def.: 0	own value (to be entered!)
This parameter can be used to invert the digital input. 0 = disable 1 = enable				

5.3.7 Analogue output

4.100	AO1 function		Unit: integer	
Relationship to parameter: 4,101 4,102	Parameter manual:	Transfer status:	min: 0	own value (to be entered!)
	p. xy	2	max.: 40	
			def.: 0	
<p>Selection of the process value that is output at the analogue output. The standardisation (4,101/4,102) has to be adapted, depending on the selected process value.</p> <p>0 = no signal 1 = intermediate circuit voltage 2 = supply voltage 3 = motor voltage 4 = motor current 5 = actual frequency 6 = rotation speed measured externally by speed sensor (if available) 7 = current angle or position (if available) 8 = IGBT temperature 9 = interior temperature 10 = analogue input1 11 = analogue input2 12 = target frequency 13 = motor power 14 = torque 15 = field bus</p>				

4.101	AO1 minimum output		Unit:	
Relationship to parameter: 4,100	Parameter manual:	Transfer status:	min:-10,000,000	own value (to be entered!)
	p. xy	2	max.:+1,000,00 0	
			def.: 0	
Describes which area is to be resolved to the 0-10 V output voltage or the 0-20 mA output current.				

4.102	AO1 maximum output		Unit:	
Relationship to parameter: 4,100	Parameter manual:	Transfer status:	min: 0	own value (to be entered!)
	p. xy	2	max.:+1,000,00 0	
			def.: 0	
Describes which area is to be resolved to the 0-10 V output voltage or the 0-20 mA output current.				

5.3.8 Digital outputs

For digital outputs 1 and 2 (DOx display DO1/DO2)

4.150/4.170	DOx function		Unit: integer	
Relationship to parameter: 4,151/4,171 4,152/4,172	Parameter manual: p. xy	Transfer status: 2	min: 0 max.: 50 def.: 0	own value (to be entered!)
<p>Selection of the process value to which the output should switch.</p> <p>0 = not allocated / FKO Soft-PLC 1= intermediate circuit voltage 2= supply voltage 3= motor voltage 4= motor current 5= actual frequency 6= – 7= – 8= IGBT temperature 9= interior temperature 10= error (NO) 11= inverted error (NC) 12= final release levels 13= digital input1 14= digital input 2 15= digital input 3 16= digital input 4 17= ready for operation 18= ready 19= operation 20= ready for operation + ready 21= ready for operation + ready + operation 22= ready + operation 23 = motor power 24 = torque 25 = field bus</p> <p>50 = motor current limit active</p>				

4.151/4.171	DOx on		Unit:	
Relationship to parameter: 4,150/4,170	Parameter manual: p. xy	Transfer status: 2	min: 0 max.:1,000,000 def.: 0	own value (to be entered!)
If the set process value exceeds the switch-on limit, the output is set to 1.				

4.152/4.172	DOx off		Unit:	
Relationship to parameter: 4,150/4,170	Parameter manual: p. xy	Transfer status: 2	min: 0 max.:1,000,000 def.: 0	own value (to be entered!)
If the set process value exceeds the switch-on limit, the output is set to 1.				

5.3.9 Relay

For relays 1 and 2 (Rel.x – display Rel. 1/Rel. 2)

4.190/4.210	Rel.x function		Unit: integer	
Relationship to parameter: 4,191/4,211 4,192/4,212	Parameter manual: p. xy	Transfer status: 2	min: 0 max.: 500 def.: 0	own value (to be entered!)
<p>Selection of the process value to which the output should switch.</p> <p>0= not allocated / FKO Soft-PLC 1= intermediate circuit voltage 2= supply voltage 3= motor voltage 4= motor current 5= actual frequency 6= – 7= – 8= IGBT temperature 9= interior temperature 10= error (NO) 11= inverted error (NC) 12= final release levels 13= digital input1 14= digital input 2 15= digital input 3 16= digital input 4 17= ready for operation 18= ready 19= operation 20= ready for operation + ready 21= ready for operation + ready + operation 22= ready + operation 23 = motor power 24 = torque 25 = field bus 50 = motor current limit active</p>				

4.191/4.211	Rel.x on		Unit:	
Relationship to parameter: 4,190/4,210	Parameter manual: p. xy	Transfer status: 2	min: 0 max.:1000000 def.: 0	own value (to be entered!)
If the set process value exceeds the switch-on limit, the output is set to 1.				

4.192/4.212	Rel.x off		Unit:	
Relationship to parameter: 4,190/4,210	Parameter manual: p. xy	Transfer status: 2	min: 0 max.:1000000 def.: 0	own value (to be entered!)
If the set process value exceeds the switch-on limit, the output is set to 1.				

4.193/4.213	Rel.x on delay		Unit:	
Relationship to parameter: 4,194/4,214	Parameter manual: p. xy	Transfer status: 2	min: 0 max.: 99 def.: 0	own value (to be entered!)
Specifies the length of the switch-on delay.				

4.194/4.214	Rel.x off delay		Unit:	
Relationship to parameter: 4,193/4,213	Parameter manual: p. xy	Transfer status: 2	min: 0 max.: 99 def.: 0	own value (to be entered!)
Specifies the length of the switch-off delay.				

5.3.10 External fault

5.010/5.011	External fault 1/2		Unit: integer	
Relationship to parameter: 4,110 to 4,113	Parameter manual:	Transfer status:	min: 0	own value (to be entered!)
	p. xy	2	max.: 4	
			def.: 0	
	Selection of the source from which an external error can be reported. 0 = disable 1 = digital input 1 2 = digital input 2 3 = digital input 3 4 = digital input 4 If the selected digital input has a high signal, the inverter switches to error no. 23/24 external fault 1/2. Parameters 4,110 to 4,113 DIx inverse can be used to invert the logic of the digital input.			

5.3.11 Motor current limit

This function limits the motor current to a parameterised maximum value after a parameterised current-time surface has been reached.

This motor current limit is monitored at application level and thereby limits with relatively low dynamics. This has to be considered when selecting this function.

The maximum value is determined using the “motor current limit in %” parameter (5,070). This is given in percent and relates to the nominal motor current specified in the “motor current” type plate data (33,031).

The maximum current-time surface is calculated from the product of the “motor current limit in s” parameter (5,071) and the fixed over-current of 50% of the required motor current limit.

As soon as this current-time surface is exceeded, the motor current is restricted to the limit value by reducing the rotation speed. If the output current of the drive control exceeds the motor current (parameter 33,031) multiplied by the set limit in % (parameter 5,070) for the set time (parameter 5,071), the speed of the motor is reduced until the output current is below the set limit.

The dimming is performed by a PI controller that works in dependence on the current difference.

The entire function can be deactivated by setting the “motor current limit in %” parameter (5,070) to zero.

5.070	Motor current limit		Unit: %	
Relationship to parameter: 5,071 33,031	Parameter manual: p. xy	Transfer status: 2	min: 0	own value (to be entered!)
			max.: 250	
def.: 0				
0 = deactivated				

5.071	Motor current limit		Unit: s	
Relationship to parameter: 5,070 33,031	Parameter manual: p. xy	Transfer status: 2	min: 0	own value (to be entered!)
			max.: 100	
def.: 1				

5.3.12 Stall detection

5.080	Stall detection		Unit: integer	
Relationship to parameter: 5,081	Parameter manual: p. xy	Transfer status: 2	min: 0	own value (to be entered!)
			max.: 1	
def.: 0				
This parameter can be used to activate stall detection. 0 = disable 1 = enable				

5.081	Blocking time		Unit: s	
Relationship to parameter: 5,080	Parameter manual: p. xy	Transfer status: 2	min: 0	Own value (to be entered!)
			max.: 50	
def.: 2				
Indicates the time after which a blockage is detected.				

5.4 Performance parameters

5.4.1 Motor data

33.001	Type of motor		Unit: Integer	
Relationship to parameter: 34,010	Parameter manual:	Transfer status:	min: 1	own value (to be entered!)
	S. xy	1	max.: 2	
			def.: 1	
<p>Selecting the type of motor</p> <p>1 = asynchronous motor 2 = synchronous motor</p> <p>The parameters are shown depending on the type of motor selected.</p> <p>The type of control (parameter 34,010) must also be selected.</p>				

33.015	R optimisation		Unit: %	
Relationship to parameter:	Parameter manual:	Transfer status:	min: 0	own value (to be entered!)
	p. xy	1	max.: 200	
			def.: 100	
<p>If necessary, this parameter can be used to optimise the start-up behaviour.</p>				

33.031	Motor current		Unit: A	
Relationship to parameter: 5,070	Parameter manual:	Transfer status:	min: 0	own value (to be entered!)
	p. xy	1	max.: 150	
			def.: 0	
<p>This is used to set the nominal motor current $I_{M,N}$ for either the star or triangle connection.</p>				

33.032	Motor power		Unit: W	
Relationship to parameter:	Parameter manual: p. xy	Transfer status: 1	min: 0	own value (to be entered!)
			max.: 680	
def.: 0				
A performance value [kW] $P_{M,N}$ has to be set here that corresponds to the motor power.				

33.034	Motor speed		Unit: rpm	
Relationship to parameter: 34,120	Parameter manual: p. xy	Transfer status: 1	min: 0	own value (to be entered!)
			max.: 10,000	
def.: 0				
The value from the motor's type plate data has to be entered here for the nominal motor rotation speed $n_{M,N}$.				

33.035	Motor frequency		Unit: Hz	
Relationship to parameter:	Parameter manual: p. xy	Transfer status: 1	min: 40	own value (to be entered!)
			max.: 100	
def.: 0				
This is where the nominal motor frequency $f_{M,N}$ is set.				

33.050	Stator resistance		Unit: Ohm	
Relationship to parameter:	Parameter manual: p. xy	Transfer status: 1	min: 0	own value (to be entered!)
			max.: 30	
def.: 0,001				
The stator resistance can be optimised here, if the automatically determined value (motor identification) is insufficient.				

33.110	Motor voltage		Unit: V	
Relationship to parameter:	Parameter manual: p. xy	Transfer status: 1	min: 0	own value (to be entered!)
			max.: 680	
def.: 0				
This is used to set the nominal motor voltage $U_{M,N}$ for either the star or triangle connection.				

33.111	Motor cos phi		Unit: 1	
Relationship to parameter:	Parameter manual: p. xy	Transfer status: 1	min: 0.5	own value (to be entered!)
			max.: 1	
def.: 0				
The value from the motor's type plate data has to be entered here for the power factor $\cos\phi$.				

33.200	Stator inductance		Unit: H	
Relationship to parameter:	Parameter manual: p. xy	Transfer status: 1	min: 0	Own value (to be entered!)
			max.: 100	
def.: 0				
For synchronous motors only. The stator inductivity can be optimised here if the automatically determined value (motor identification) is insufficient.				

33.201	Nominal flow		Unit: mVs	
Relationship to parameter:	Parameter manual: p. xy	Transfer status: 1	min: 0	Own value (to be entered!)
			max.: 5000	
def.: 0				
For synchronous motors only. The nominal flow can be optimised here if the automatically determined value (motor identification) is insufficient.				

5.4.2 I²T

33.010	I ² T fact. motor		Unit: %	
Relationship to parameter: 33,031 33,101	Parameter manual: p. xy	Transfer status: 2	min: 0	own value (to be entered!)
			max.: 150	
def.: 100				
The percental current threshold (in relation to motor current 33,031) at the start of integration can be set here.				

33.011	I ² T time		Unit: s	
Relationship to parameter: 33,100	Parameter manual: p. xy	Transfer status: 2	min: 0	own value (to be entered!)
			max.: 30	
def.: 25				
Time after which the drive control switches off with I ² T.				

33.138	Holding current time		Unit: s	
Relationship to parameter: 33,100	Parameter manual: p. xy	Transfer status: 2	min: 0	own value (to be entered!)
			max.: 120	
def.: 2				
This is the time span during which the drive is held with continuous current after the brake ramp has been completed.				


5.4.3 Switching frequency

The internal switching frequency (clocking frequency) can be changed in order to control the power element. A high setting reduces noise in the motor but increases EMV emission and losses in the drive control.

34.030	Switching frequency		Unit: Hz	
Relationship to parameter:	Parameter manual: p. xy	Transfer status: 2	min: 1	own value (to be entered!)
			max.: 4	
def.: 2				
Selection of the switching frequency for the converter 1 = 16 kHz 2 = 8 kHz 4 = 4 kHz				

5.4.4 Controller data

34.010	Type of control		Unit: integer	
Relationship to parameter: 33,001 34,011	Parameter manual: p. xy	Transfer status: 2	min: 100	Own value (to be entered!)
			max.: 200	
def.: 100				
Selection of the type of control. 100 = open-loop asynchronous motor 101 = close-loop asynchronous motor 200 = open-loop synchronous motor 201 = close-loop synchronous motor				

34.011	Type of encoder		Unit: integer	
Relationship to parameter: 34,010 34,012 34,013	Parameter manual: p. xy	Transfer status: 2	min: 0	Own value (to be entered!)
			max.: 2	
			def.: 0	
	Selection of the type of sensor 0 = inactive 1 = TTL sensor 2 = HTL sensor  WARNING When selecting the HTL sensor, 24V is transmitted via the interface. If using a TTL sensor, this could result in damage to the sensor.			

34.012	Encoder line count		Unit: integer	
Relationship to parameter: 34,010 34,011 34,013	Parameter manual: p. xy	Transfer status: 2	min: 0	Own value (to be entered!)
			max.: 10000	
			def.: 1024	
	Selection of the line count of the sensor used.			

34.013	Encoder offset		Unit: °	
Relationship to parameter: 34,010 34,011 34,012	Parameter manual: p. xy	Transfer status: 2	min: 0	Own value (to be entered!)
			max.: 360	
			def.: 0	
	An encoder offset for the sensor can be set here.			

34.021	Flying restart		Unit:	
Relationship to parameter:	Parameter manual: p. xy	Transfer status: 1	min: 0	own value (to be entered!)
			max.: 1	
			def.: 1	
	This parameter is used to activate the capture function. 0 = disable 1 = enable			

Parameters

34.090	Speed control K_p		Unit: mA/rad/s	
Relationship to parameter:	Parameter manual: p. xy	Transfer status: 2	min: 0	own value (to be entered!)
			max.: 10,000	
			def.: 150	
	The control boost of the speed control can be optimised here, if the automatically determined results (of the motor identification) are insufficient.			

34.091	Speed control T_n		Unit: s	
Relationship to parameter:	Parameter manual: p. xy	Transfer status: 2	min: 0	own value (to be entered!)
			max.: 10	
			def.: 4	
	The reset time of the speed control can be optimised here, if the automatically determined results (of the motor identification) are insufficient.			

34.110	Slip trimmer		Unit:	
Relationship to parameter: 33,034	Parameter manual: p. xy	Transfer status: 2	min: 0	own value (to be entered!)
			max.: 1.3	
			def.: 1	
	This parameter can be used to optimise or deactivate slippage compensation. 0 = deactivated (performance as on the grid) 1 = compensation for slippage..			

34.130	Voltage control reserve		Unit:	
Relationship to parameter:	Parameter manual: p. xy	Transfer status: 2	min: 0	own value (to be entered!)
			max.: 2	
			def.: 0,95	
	This parameter can be used to adjust voltage output.			

5.4.5 Squared characteristic

34.120	Squared characteristic		Unit: integer	
Relationship to parameter: 34,121	Parameter manual: p. xy	Transfer status: 2	min: 0 max.: 1 def.: 0	own value (to be entered!)
The quadratic characteristic curve function can be activated here. 0 = disable 1 = enable				

34.121	Flux compensation		Unit: %	
Relationship to parameter: 34,120	Parameter manual: p. xy	Transfer status: 2	min: 0 max.: 100 def.: 50	own value (to be entered!)
The percentage by which the flux is to be reduced can be set here.				

6 Error detection and troubleshooting

This chapter contains the following:

- A list of the LED flash codes for error recognition
 - A description of error recognition using PC tools
 - A list of errors and system errors
 - Notes on error detection with the MMI
-

WARNING

Danger injury and danger of electric shock.



















Non-observance of warnings can result in serious injury or damage.

- Repairs to the device may only be performed by the BRINKMANN Service department.
 - Damaged parts or components have to be replaced with parts from the appropriate list of spare parts.
 - The frequency converter has to be disconnected prior to opening, assembly or disassembly.
-

6.1 List of the LED flash codes for error recognition

When an error occurs, the LEDs on the drive control display a flashing code that allows the errors to be diagnosed.

The following table contains an overview.

Red LED	Green LED	State
		Ready for operation (activate En_HW for operation)
		Operation
		Warning
		Error
		Identification of motor data
		Initialisation
		Firmware update
		Bus error operation
		Bus error ready for operation

Tab. 8: LED flash codes

Key



LED off



LED on



LED flashing



LED flashing quickly

6.2 List of errors and system errors

When an error occurs, the converter is switched off; you can find the corresponding error numbers in the flash code table or the PC tool.



Error messages can only be confirmed once the error has been remedied.

Error messages can be confirmed as follows:

- digital input (programmable)
- via the MMI (manual operating unit)
- auto confirmation (parameter 1,181, page 38)
- switching the device off and on
- via field bus (CANOpen, Profibus DP, EtherCAD)

The following section contains a list of possible error messages. Please contact the BRINKMANN service department if you notice errors that are not listed here.

No.	Error name	Description of fault	Possible cause/remedy
1	Undervoltage 24 V application	Supply voltage for the application is lower than 15 V	Overload of the 24 V supply
2	Overvoltage 24 V application	Supply voltage for the application is greater than 31 V	Internal 24 V supply is not OK or external supply is not OK
8	Communication application<>power	Internal communications between the application plate and the power-conducting plate is not OK	EMV interferences
10	Parameter distributor	The internal distribution of parameters during initialisation failed	Parameter set is incomplete
13	Cable break at analogue in 1 (4–20 mA / 2–10 V)	Current or voltage are lower than the lower limit of analogue input 1 (this error monitoring is activated automatically by setting parameter 4,021 to 20% and 4,022 to 100%)	Cable brake, faulty external sensor
14	Cable break at analogue in 2 (4–20 mA / 2–10 V)	Current or voltage are lower than the lower limit of analogue input 2 (this error monitoring is activated automatically by setting parameter 4,021 to 20% and 4,022 to 100%)	Cable brake, faulty external sensor
15	Stall detection	The drive shaft of the motor is	Remove the blockade

No.	Error name	Description of fault	Possible cause/remedy
		stalled. 5.080	
22	Confirmation error	The number of maximum automatic confirmations (1,182) was exceeded	Check error history and remedy error
23	External fault 1	The parameterised fault input is active. 5.010	Correct the external fault
23	External fault 2	The parameterised fault input is active. 5.010	Correct the external fault
32	Trip IGBT	Protection of the IGBT module against overcurrent has been triggered	Short circuit in the motor or motor feed line / controller settings
33	Overvoltage of intermediate circuit	The maximum intermediate circuit current has been exceeded	Feedback by motor in generating operation / mains voltage too high / faulty setting for rotation speed control
34	Undervoltage of intermediate circuit	The minimum intermediate circuit current has not been reached	Mains voltage too low
35	Excess motor temperature	Motor PTC has been triggered	Overload of the motor (e.g. high torque at low motor speed) / ambient temperature too high
36	Power failure		A phase is missing / mains voltage has been disrupted
38	Excess IGBT module temperature	Excess IGBT module temperature	Insufficient cooling, low motor speed and high torque, clocking frequency too high
39	Overcurrent	Maximum output current of the converter exceeded	
40	Excess frequency converter temperature	Inside temperature too high	Insufficient cooling, low motor speed and high torque, clocking frequency too high
42	I ² T motor safety shut-off	The internal I ² T motor protection (can be parameterised) has been triggered	Long-term overload
43	Ground leak	Ground leak during a motor phase	Insulation error
45	Motor connection disrupted	No motor current in spite of control through frequency converter	No motor connected

Error detection and troubleshooting

No.	Error name	Description of fault	Possible cause/remedy
46	Motor parameters	Plausibility check for motor parameters failed	Parameter set not OK
47	Drive control parameters	Plausibility check for drive control parameters failed	Parameter set not OK
48	Type plate data	No motor data were entered.	Please enter the motor data according to the rating plate
49	Power-class restriction	Max overload of the drive control exceeded for more than 60 sec.	Check application / reduce load / dimension larger drive control

Tab. 9: Error detection

7 Technical data

7.1 General data

This chapter contains the technical data.

Installation size	A				B			C		D			
Rated motor power [kW] / 4-pole standard asynchronous motor	0.55	0.75	1.1	1.5	2.2	3	4	5.5	7.5	11	15	18.5	22
Ambient temperature [°C]	-25 (non-condensing) to +50 (without derating) *												
Mains frequency [V]	3~ 200 -10% ... 480 +10%												
Netzfrequenz [Hz]	47 to 63												
Network configurations	TN/TT												
Line current [A]	1.4	1.9	2.6	3.3	4.6	6.2	7.9	10.8	14.8	23.3	28.3	33.3	39.9
Nominal current, eff. [I _N bei 8 kHz/400 V]	1.7	2.3	3.1	4.0	5.6	7.5	9.5	13.0	17.8	28.0	34.0	40.0	48.0
Min. brake resistance [W]	100				50			50		30			
Maximum current, eff.	150 % of the nominal current for 60 sec												130%
Switching frequency [kHz]	4, 8, 16, (factory setting 8)												
Rotating field frequency [Hz]	0 - 400												
Protective function	Undervoltage, Overvoltage, I ² t restriction, short circuit, motor –inverter temperature, anti-tilt protection, stall protection												
Process control	PID controller, free configuration												
Dimensions [L x B x H] mm	233 x 153 x 120				270 x 189 x 133			307x223x181		414 x 294 x 238			
Weight including adapter plate [kg]	3.9				5.0			8.7		21.0			
Type of protection [IPxy]	65												
EMV	approvals acc. to DIN EN 61800-3, Klasse C2												

Tab. 10: Technical data (technical changes reserved)

* in terms of the UL 508C standard, please see chapter 9.4!

Technical data

Designation	Function
Digital inputs 1–4	<ul style="list-style-type: none"> - Switching level low < 5 V / high > 15 V - I_{max} (at 24 V) = 3 mA - R_{in} = 8.6 kOhm
Analogue inputs 1, 2	<ul style="list-style-type: none"> - I_n +/- 10 V or 0–20 mA - I_n 2–10 V or 4–20 mA - Resolution 10 Bit - R_{in} = 10 kOhm
Digital outputs 1, 2	<ul style="list-style-type: none"> - Short-circuit proof - I_{max} = 20 mA
Relays 1, 2	1 changeover contact (NO/NC) maximum switching power *: <ul style="list-style-type: none"> - at ohmic load (cos φ = 1): 5 A at ~230 V or = 30 V - under inductive load (cos φ = 0.4 and L/R = 7 ms): 2 A at ~230 V or = 30 V Maximum reaction time: 7 ms ± 0.5 ms Electric life: 100,000 switching cycles
Analogue output 1 (current)	<ul style="list-style-type: none"> - Short-circuit proof - I_{out} = 0.20 mA - burden = 500 ohm
Analogue output 1 (voltage)	<ul style="list-style-type: none"> - Short-circuit proof - U_{out} = 0..10 V - I_{max} = 10 mA
Power supply 24 V	<ul style="list-style-type: none"> - Auxiliary voltage U = 24V DC - short-circuit proof - I_{max} = 100 mA - external feeding of 24 V possible
Power supply 10 V	<ul style="list-style-type: none"> - Auxiliary voltage U = 10 V DC - short-circuit proof - I_{max} = 30 mA

Tab. 11: Specification of interfaces

* in terms of the UL 508C standard, the maximum allowed is 2 A!

8 Optional accessories

This chapter contains brief descriptions of the following optional accessories

- Adapter plates
- Manual control unit MMI including connection cable RJ11 on plug M12
- Brake resistors

9 Guidelines, Norms and Standards

This chapter contains information about electromagnetic compatibility (EMC), and guidelines, norms and standards.

9.1 EMV limit classes

Please note that EMV limit classes are only reached if the standard switching frequency (clocking frequency) of 8 kHz is complied with. If the device is mounted on the wall, the length of the screened motor cables (with large surfaces on both sides) (max. 3 m) may not exceed the permitted limits.

Wiring suitable for EMV also requires that EMV screw connections be used on both sides (drive control and motor).

ATTENTION!

In a residential environment, this product can cause high-frequency disruptions that may require interference suppression measures.

9.2 Classification acc. to IEC/EN 61800-3

The generic standard defines test procedures and severity levels for every environment of the drive control category; these have to be complied with.

Definition of the environment

First environment (residential, commercial and industrial area):

All “areas” that are directly supplied by a public low voltage connection, such as:

- Residential area, e.g. houses, apartments etc.
- Retail area, e.g. shops, supermarkets
- Public institutions, e.g. theatres, stations
- Outside areas, e.g. petrol stations and parking areas
- Light industry, e.g. workshops, laboratories, small businesses

Second environment (industry):

Industrial surroundings with their own supply network that is separated from the public low-voltage supply by a transformer.

9.3 Standards and guidelines

The following specifically apply:

- Directive on Electromagnetic Compatibility
(Directive 2004/108/EC of the Council EN 61800-3:2004)
- Low Voltage Directive
(Directive 2006/95/EC of the Council EN 61800-5-1:2003)
- Product standards list

9.4 Required markings for UL

Required Markings

For installation on industrial machines in accordance with the Standard for Industrial Machinery NFPA79 only.

Maximum Ambient Temperature:

Electronic	Adapter	Ambient
INV MA 4 1.5	ADP MA WDM	35°C
INV MB 4 2.2	ADP MB WDM	45°C
INV MB 4 3.0	ADP MB WDM	40°C
INV MB 4 4.0	ADP MB WDM	35°C
INV MC 4 5.5	ADP MC WDM	40°C
INV MC 4 7.5	ADP MC WDM	35°C

Internal Overload Protection Operates within 60 seconds when reaching 150% of the Motor Full Load Current.

Suitable For Use On A Circuit Capable Of Delivering Not More Than 5kA rms Symmetrical Amperes, 400 Volts Maximum When Protected by Fuses.

Integral solid state short circuit protection does not provide branch circuit protection. Branch circuit protection must be provided in accordance with the Manufacturer Instructions, National Electrical Code and any additional local codes.

All wiring terminals marked to indicate proper connections for the power supply, load and control circuitry.

Instruction for operator and servicing instructions on how to mount and connect the products using the intended motor connection adapter.

Use 75°C copper wires only.

Connection of external motor overtemperature sensing is required.

9.5 Quickstart guide

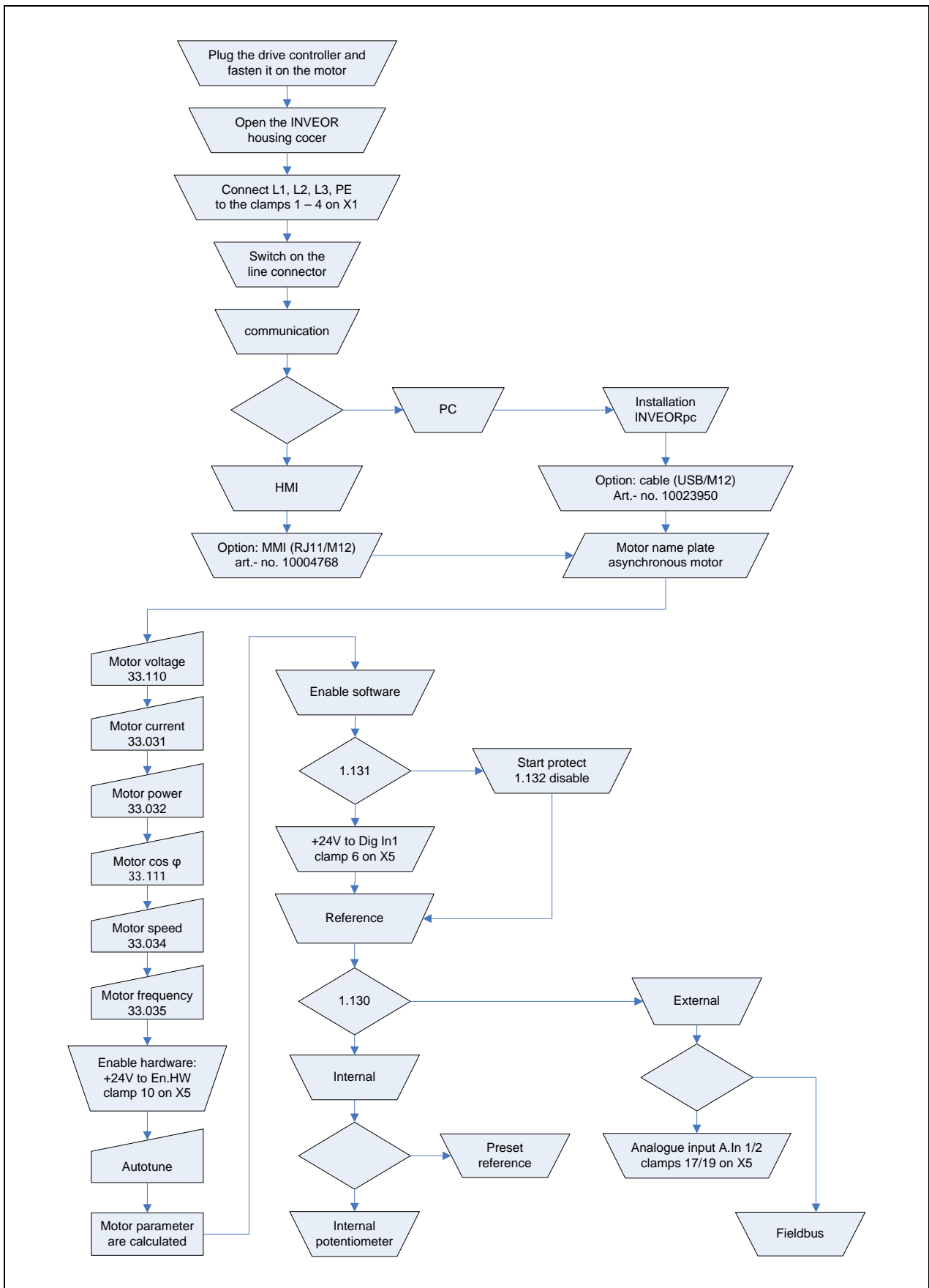


Fig. 17: Startup diagram

Index

A

Accessories..... 75
 Ambient conditions 16
 Analogue input 22
 Automatic reset 45

B

Brake chopper..... 21
 Brake resistor 21

C

Cable screw connections 16, 21
 Cable shoes 18, 29
 CE marking 7
 Commissioning..... 10
 Communication 32
 Connection cross-section 19
 Control connections 21, 24
 Convection..... 24

D

Digital input 22
 Digital output 22
 Dimensioned drawings 5
 Disposal..... 12

E

Electrical connection 17, 20
 EMV limit classes 75
 EMV screw connections 19, 75
 EMV standard 75
 Energy-saving function..... 37
 Error detection 68, 72
 EU Declaration of Conformity 7
 Excess temperature 71

F

Factory setting 39
 Fan 16
 FI protection switch 10

G

Ground protection..... 18

I

I²T limit..... 63
 Information..... 14
 Installation 17, 20, 24
 Installation altitude 16
 Installation instructions 15
 Installation location 17
 Installation sizes 5

L

LED flash codes..... 69
 Legal Notice 2

M

Mains connection 20
 MMI 32
 Motor cos φ 62
 Motor current 60
 Motor current limit..... 58
 Motor frequency..... 61
 Motor power 61
 Motor speed 61
 Motor voltage 60, 62
 Motorspannung..... 60

O

Operation 11
 Optional accessories 75
 Overcurrent 71
 Overload 70, 71
 Overvoltage..... 70, 71

P

Parameter set 70
 Parameterisation..... 34
 Parameters 35
 PID process controller..... 48
 Preset speed 38
 Preset speed mode 46
 Proper use 13

Q

Quantity of automatic reset 45

R	
Reference channel.....	42, 43
Regulations	13
Relay	23, 56
Repairs	12, 68
Reset	45
Rotation speed	22, 58, 61
Rotational direction	44
S	
Safety instructions	7
Standards	76
Start protect	44
Stator inductance	60, 62
Stator resistance	61
Storage	9
Switching frequency	64
System errors	70
T	
Technical data.....	73
Terminal cross-section	19
Transport.....	9
U	
Undervoltage	70, 71
W	
Wiring instructions	19

BRINKMANN Pumpen
K. H. Brinkmann GmbH & Co. KG
Friedrichstraße 2

58791 Werdohl

Germany

Tel. +49 (0)2392 5006-0
Fax +49 (0)2392 5006-180

E-Mail Sales@BrinkmannPumps.de
[www. BrinkmannPumps.com](http://www.BrinkmannPumps.com)