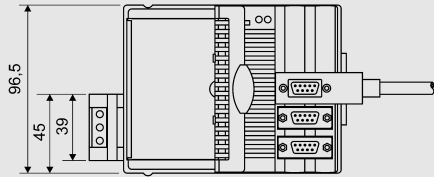
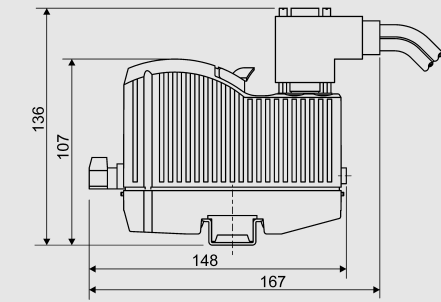
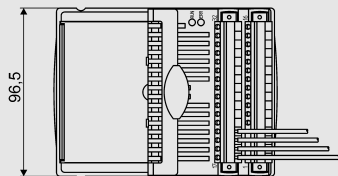
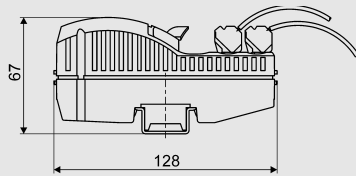


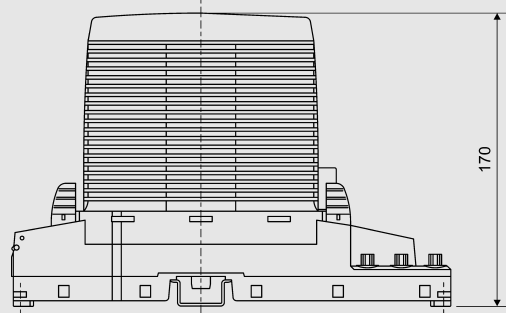
Dimension drawings (all dimensions in mm) - subject to alteration



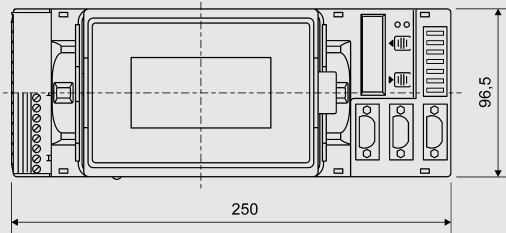
CPU & Power Module
Type 9440/15 for Zone 2



Input und Output modules
Types 9460, 9461, 9465, 9466, 9470, 9471, 9475, 9477/15,
9480, 9481

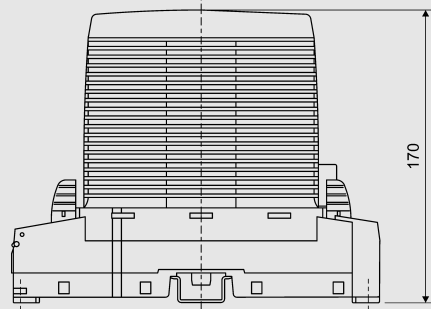


09878E00

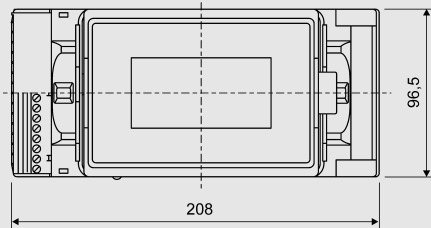


CPU & Power Module Type 9440/12 and 9440/22 for Zone 1

09877E00



09879E00



Digital Output Module Relay Type 9477/12

09880E00