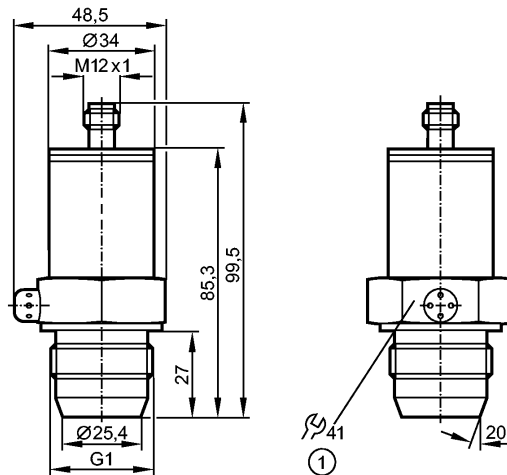


**PL2658**

PL-,25BREA01-E-ZVG/US/ /P

Pressure sensors



1: tightening torque 20 Nm



EC 1935/2004 EHEDG Certified



**Product characteristics**

Electronic pressure sensor

Connector

no dead space

Zero and span adjustable

Programmable via EPS interface

Sealing cone G1 male

Process connection: Sealing cone G1 male

Analogue output

Measuring range: -12.5...250 mbar / -5.0...100.4 inH2O / -1.25...25.00 kPa

**Application**

Application	Type of pressure: relative pressure Hygienic systems, viscous media and liquids with suspended particles Liquids and gases		
Pressure rating	10000 mbar	4000 inH2O	1000 kPa
Bursting pressure min.	30000 mbar	12000 inH2O	3000 kPa
Medium temperature [°C]	-25...80		

**Electrical data**

Electrical design	2-wire DC; 3-wire DC		
Operating voltage [V]	14...30 DC		
Insulation resistance [MΩ]	> 100 (500 V DC)		
Protection class	III		
Reverse polarity protection	yes		

**Outputs**

Output	Analogue output		
Output function	4...20 mA analogue		
Overload protection	yes		
Analogue output	4...20 mA		
Max. load [Ω]	max. (Ub - 13 V) / 20 mA; 550 at Ub = 24 V		

**Measuring / setting range**

Measuring range	-12.5...250 mbar	-5.0...100.4 inH2O	-1.25...25.00 kPa
-----------------	------------------	--------------------	-------------------

**PL2658**

PL-,25BREA01-E-ZVG/US/ /P

**Pressure sensors**

Setting range

Analogue start point, ASP	-12.5...100.0 mbar	-5.0...40.2 inH2O	-1.25...10.00 kPa
Analogue end point, AEP	50.0...250.0 mbar	20.2...100.4 inH2O	5.00...25.00 kPa
in steps of	0.5 mbar	0.2 inH2O	0.05 kPa

**Accuracy / deviations**

Accuracy / deviations

(in % of the span) Turn down 1:1

Characteristics deviation *)	< ± 0.6
Linearity	< ± 0.5
Hysteresis	< ± 0.1
Repeatability **)	< ± 0.1
Long-term stability ***)	< ± 0.1
Temperature coefficients (TEMPCO) in the temperature range 0...80° C (in % of the span per 10 K)	
Greatest TEMPCO of the zero point	< ± 0.1
Greatest TEMPCO of the span	< ± 0.4

**Reaction times**

Response time analogue output [ms]	3
------------------------------------	---

**Environment**

Ambient temperature [°C]	-25...80
Storage temperature [°C]	-40...100
Protection	IP 67

**Tests / approvals**

EMC	EN 61000-4-2 ESD: 4 kV CD / 8 kV AD EN 61000-4-3 HF radiated: 10 V/m EN 61000-4-4 Burst: 2 kV EN 61000-4-6 HF conducted: 10 V
Shock resistance	DIN IEC 68-2-27: 50 g (11 ms)
Vibration resistance	DIN IEC 68-2-6: 20 g (10...2000 Hz)
MTTF [Years]	271

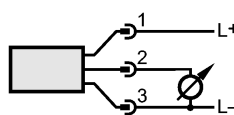
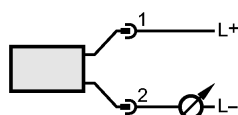
**Mechanical data**

Process connection	Sealing cone G1 male
Materials (wetted parts)	ceramics (99.9 % Al <sub>2</sub> O <sub>3</sub> ); PTFE; stainless steel 316L / 1.4435; surface characteristics: Ra < 0.4 / Rz 4
Housing materials	stainless steel 316L / 1.4404; PEI; FPM (Viton)
Min. pressure cycles	100 million
Weight [kg]	0.386

**Electrical connection**

Connection	M12 connector
------------	---------------

**Wiring**



**Remarks**

**PL2658**

PL-,25BREA01-E-ZVG/US/ /P

**Pressure sensors**

Remarks

\*) linearity, incl. hysteresis and repeatability;  
(limit value setting to DIN 16086)

\*\*) with temperature fluctuations &lt; 10 K

\*\*\*) in % of the span per year

The 3-A qualification is only valid if adapters with 3-A qualification are used for installation.

Pack quantity

[piece]

1